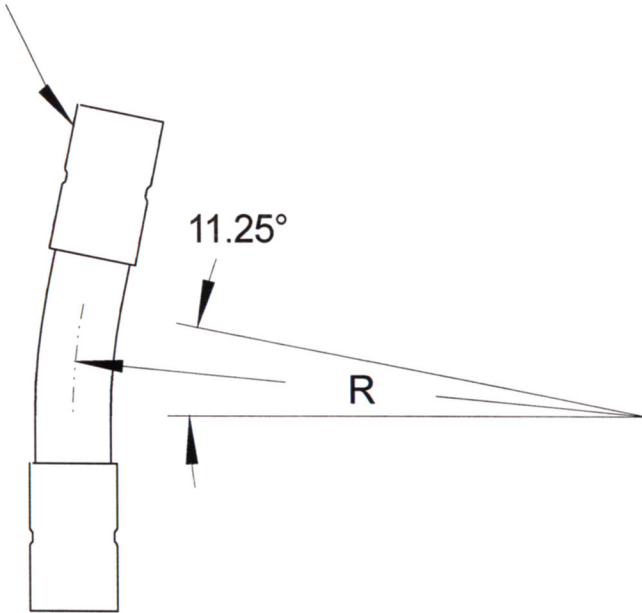


SIZE	DIAMETER "D"	RADIUS "R"	WALL THICKNES	PART NUMBER	WEIGHT (LBS.)
4"	4.5"	36"	.096"	FGHW-41136	6.23
5"	5.563"	36"	.110"	FGHW-51136	9.354
6"	6.625"	36"	.110"	FGHW-61136	13.576

DEEP SOCKET S/40 PVC COUPLING



RACEWAYS TECHNOLOGY & MFG., INC.		
TACOMA, WA		
11.25 DEGREE FIBERGLASS ELBOW 36' RADIUS (HEAVY WALL)		
NO SCALE	RTP	2012

DEEP SOCKET S/40 PVC COUPLINGS CONFORM TO UL 651 SPECIFICATIONS