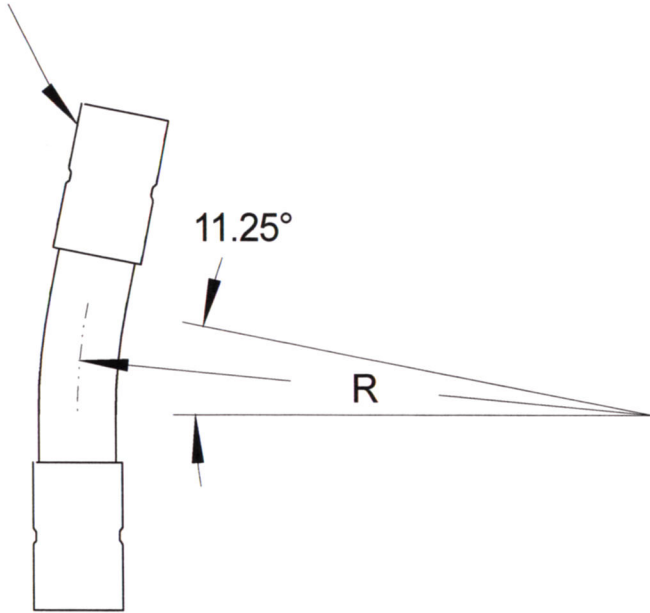


SIZE	DIAMETER "D"	RADIUS "R"	WALL THICKNES	PART NUMBER	WEIGHT (LBS.)
4"	4.5"	60"	.096"	FGHW-41160	4.13
5"	5.563"	60"	.110"	FGHW-51160	9.794
6"	6.625"	60"	.110"	FGHW-61160	14.1196
8"	8.625"	60"	.125"	FGHW-81160	21.168

DEEP SOCKET S/40 PVC COUPLING



RACEWAYS TECHNOLOGY & MFG., INC.		
TACOMA, WA		
11.25 DEGREE FIBERGLASS ELBOW 60' RADIUS (HEAVY WALL)		
NO SCALE	RTP	2012

DEEP SOCKET S/40 PVC COUPLINGS CONFORM TO UL 651 SPECIFICATIONS