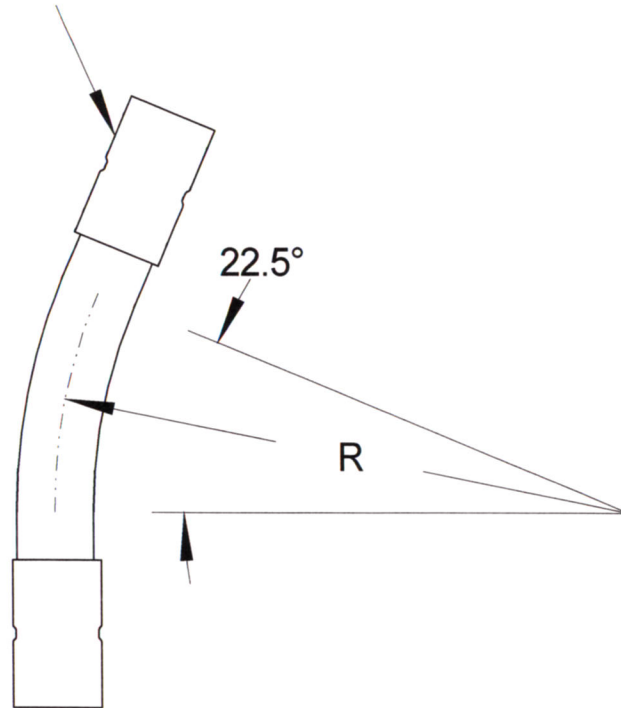


SIZE	DIAMETER "D"	RADIUS "R"	WALL THICKNES	PART NUMBER	WEIGHT (LBS.)
4"	4.5"	60"	.096"	FGHW-42260	7.362
5"	5.563"	60"	.110"	FGHW-52260	10.674
6"	6.625"	60"	.110"	FGHW-62260	15.206
8"	8.625"	60"	.125"	FGHW-82260	23.193

DEEP SOCKET S/40 PVC COUPLING



DEEP SOCKET PVC COUPLINGS CONFORM TO UL 651 SPECIFICATIONS

**RACEWAYS TECHNOLOGY
& MFG., INC.**

TACOMA, WA

22.5 DEGREE FIBERGLASS ELBOW 60" RADIUS
(HEAVY WALL)

NO SCALE

RTP

2012