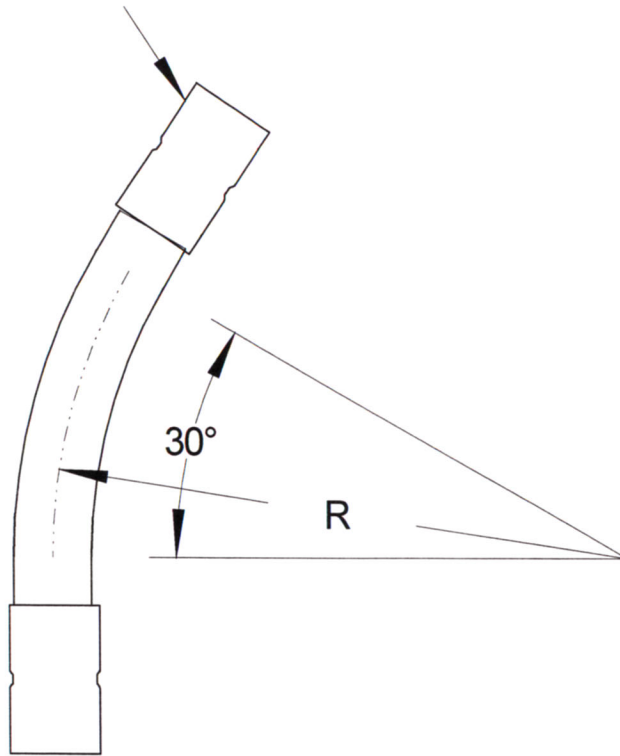


SIZE	DIAMETER "D"	RADIUS "R"	WALL THICKNES	PART NUMBER	WEIGHT (LBS.)
4"	4.5"	18"	.096"	FGHW-43018	6.23

DEEP SOCKET S/40 PVC COUPLING



**RACEWAYS TECHNOLOGY
& MFG., INC.**

TACOMA, WA

30 DEGREE FIBERGLASS ELBOW 18" RADIUS
(HEAVY WALL)

NO SCALE

RTP

2012

DEEP SOCKET S/40 PVC COUPLINGS CONFORM TO UL 651 SPECIFICATIONS