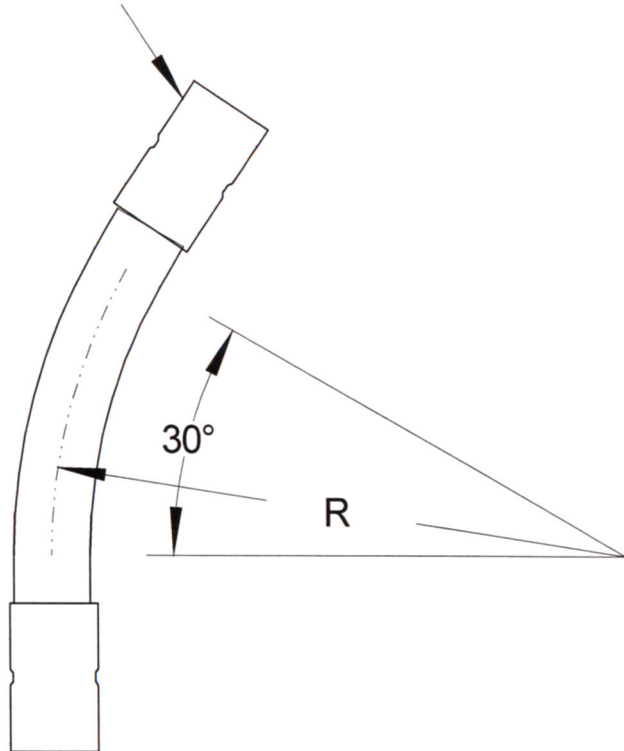


SIZE	DIAMETER "D"	RADIUS "R"	WALL THICKNES	PART NUMBER	WEIGHT (LBS.)
4"	4.5"	72"	.096"	FGHW-43072	8.17
5"	5.563"	72"	.110"	FGHW-53072	12.214
6"	6.625"	72"	.110"	FGHW-63072	17.378
8"	8.625"	72"	.125"	FGHW-83072	26.838

DEEP SOCKET S/40 PVC COUPLING



DEEP SOCKET S/40 PVC COUPLINGS CONFORM TO UL 651 SPECIFICATIONS

<b>RACEWAYS TECHNOLOGY &amp; MFG., INC.</b>		
TACOMA, WA		
30 DEGREE FIBERGLASS ELBOW 72" RADIUS (HEAVY WALL)		
NO SCALE	RTP	2012