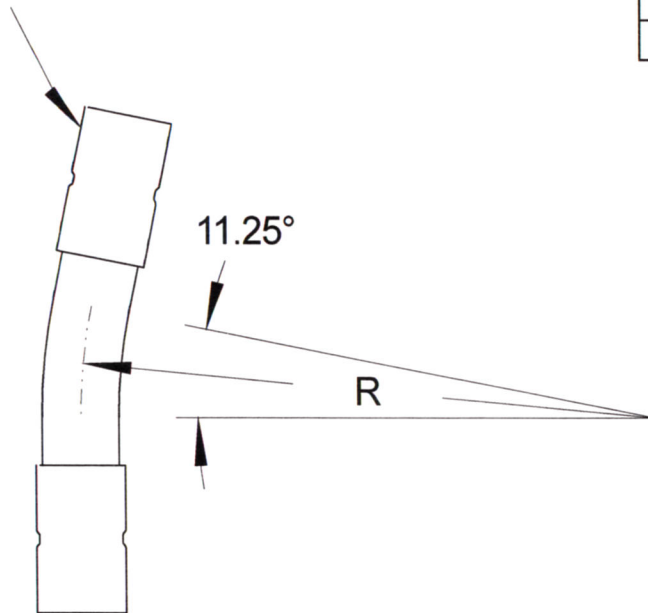


SIZE	DIAMETER "D"	RADIUS "R"	WALL THICKNES	PART NUMBER	WEIGHT (LBS.)
1/2"	.84"	36"	.070"	FGSW-051136	0.3816
3/4"	1.05"	36"	.070"	FGSW-0751136	0.419
1"	1.315"	36"	.070"	FGSW-11136	0.5186
1 1/4"	1.66"	36"	.070"	FGSW-1251136	0.764
1 1/2"	1.9"	36"	.070"	FGSW-1501136	1.056
2"	2.375"	36"	.070"	FGSW-21136	1.427
2 1/2"	2.875"	36"	.070"	FGSW-2501136	2.065
3"	3.5	36"	.070"	FGSW-31136	3.703
4"	4.5"	36"	.070"	FGSW-41136	5.69
5"	5.563"	36"	.070"	FGSW-51136	8.374
6"	6.625"	36"	.070"	FGSW-61136	12.106

DEEP SOCKET S/40 PVC COUPLING



**RACEWAYS TECHNOLOGY
& MFG., INC.**

TACOMA, WA

11.25 DEGREE FIBERGLASS ELBOW 36" RADIUS
(STANDARD WALL)

NO SCALE

RTP

2012

DEEP SOCKET S/40 PVC COUPLINGS CONFORM TO UL 651 SPECIFICATIONS