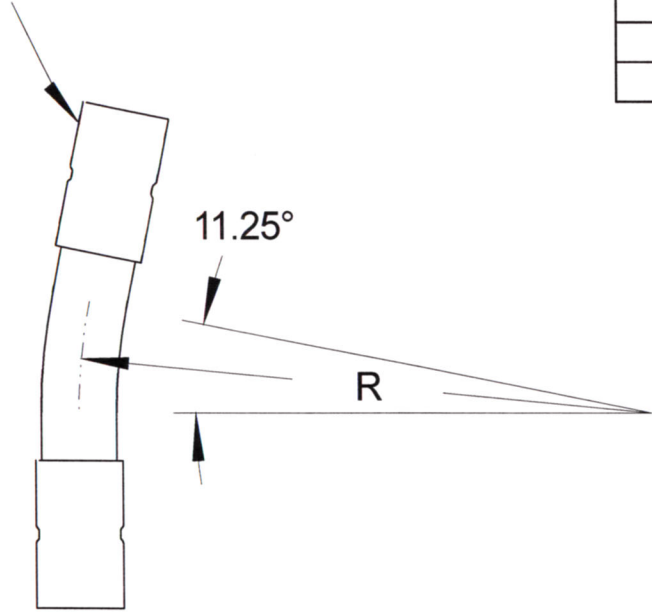


SIZE	DIAMETER "D"	RADIUS "R"	WALL THICKNES	PART NUMBER	WEIGHT (LBS.)
1/2"	.84"	48"	.070"	FGSW-051148	0.438
3/4"	1.05"	48"	.070"	FGSW-0751148	0.4758
1"	1.315"	48"	.070"	FGSW-11148	0.5818
1 1/4"	1.66"	48"	.070"	FGSW-1251148	0.8408
1 1/2"	1.9"	48"	.070"	FGSW-1501148	1.166
2"	2.375"	48"	.070"	FGSW-21148	1.553
2 1/2"	2.875"	48"	.070"	FGSW-2501148	2.256
3"	3.5	48"	.070"	FGSW-31148	3.953
4"	4.5"	48"	.070"	FGSW-41148	5.93
5"	5.563"	48"	.070"	FGSW-51148	8.524
6"	6.625"	48"	.070"	FGSW-61148	12.273
8"	8.625"	48"	.096"	FGSW-81148	19.737

DEEP SOCKET S/40 PVC COUPLING



**RACEWAYS TECHNOLOGY
& MFG., INC.**

TACOMA, WA

11.25 DEGREE FIBERGLASS ELBOW 48" RADIUS
(STANDARD WALL)

NO SCALE

RTP

2012

DEEP SOCKET S/40 PVC COUPLINGS CONFORM TO UL 651 SPECIFICATIONS