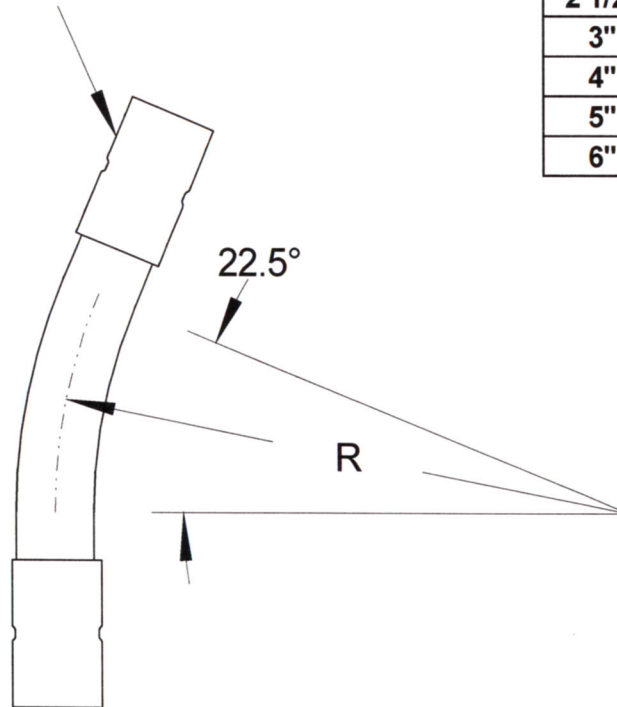


DEEP SOCKET S/40 PVC COUPLING



SIZE	DIAMETER "D"	RADIUS "R"	WALL THICKNES	PART NUMBER	WEIGHT (LBS.)
1/2"	.84"	36"	.070"	FGSW-052236	0.4668
3/4"	1.05"	36"	.070"	FGSW-0752236	0.5042
1"	1.315"	36"	.070"	FGSW-12236	0.6134
1 1/4"	1.66"	36"	.070"	FGSW-1252236	0.8792
1 1/2"	1.9"	36"	.070"	FGSW-1502236	1.221
2"	2.375"	36"	.070"	FGSW-22236	1.617
2 1/2"	2.875"	36"	.070"	FGSW-2502236	2.141
3"	3.5	36"	.070"	FGSW-32236	4.103
4"	4.5"	36"	.070"	FGSW-42236	6.23
5"	5.563"	36"	.070"	FGSW-52236	8.974
6"	6.625"	36"	.070"	FGSW-62236	12.856

DEEP SOCKET PVC COUPLINGS CONFORM TO UL 651 SPECIFICATIONS

**RACEWAYS TECHNOLOGY  
& MFG., INC.**

TACOMA, WA

22.5 DEGREE FIBERGLASS ELBOW 36" RADIUS  
(STANDARD WALL)

NO SCALE

RTP

2012