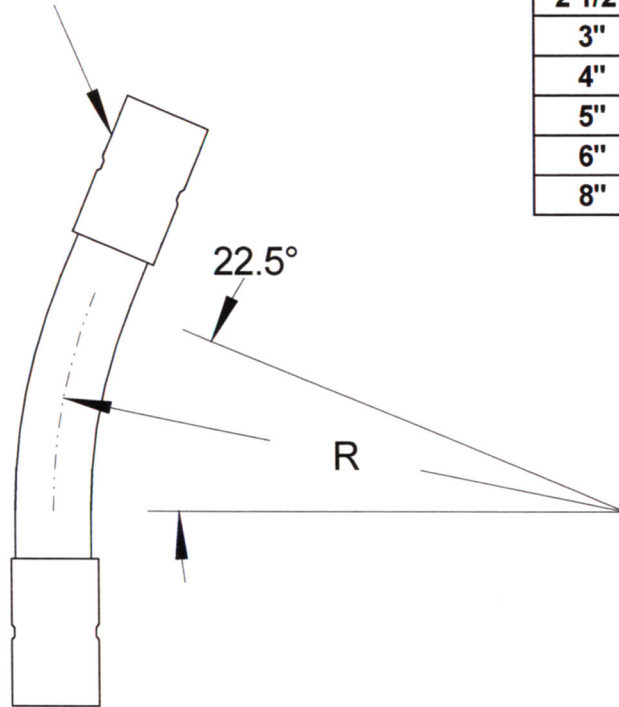


DEEP SOCKET S/40 PVC COUPLING



SIZE	DIAMETER "D"	RADIUS "R"	WALL THICKNES	PART NUMBER	WEIGHT (LBS.)
1/2"	.84"	48"	.070"	FGSW-052248	0.5378
3/4"	1.05"	48"	.070"	FGSW-0752248	0.5752
1"	1.315"	48"	.070"	FGSW-12248	0.6924
1 1/4"	1.66"	48"	.070"	FGSW-1252248	0.9752
1 1/2"	1.9"	48"	.070"	FGSW-1502248	1.3585
2"	2.375"	48"	.070"	FGSW-22248	1.7757
2 1/2"	2.875"	48"	.070"	FGSW-2502248	2.5249
3"	3.5	48"	.070"	FGSW-32248	4.303
4"	4.5"	48"	.070"	FGSW-42248	6.35
5"	5.563"	48"	.070"	FGSW-52248	9.049
6"	6.625"	48"	.070"	FGSW-62248	12.939
8"	8.625"	48"	.096"	FGSW-82248	21.251

**RACEWAYS TECHNOLOGY
& MFG., INC.**

TACOMA, WA

22.5 DEGREE FIBERGLASS ELBOW 48" RADIUS
(STANDARD WALL)

NO SCALE

RTP

2012

DEEP SOCKET PVC COUPLINGS CONFORM TO UL 651 SPECIFICATIONS