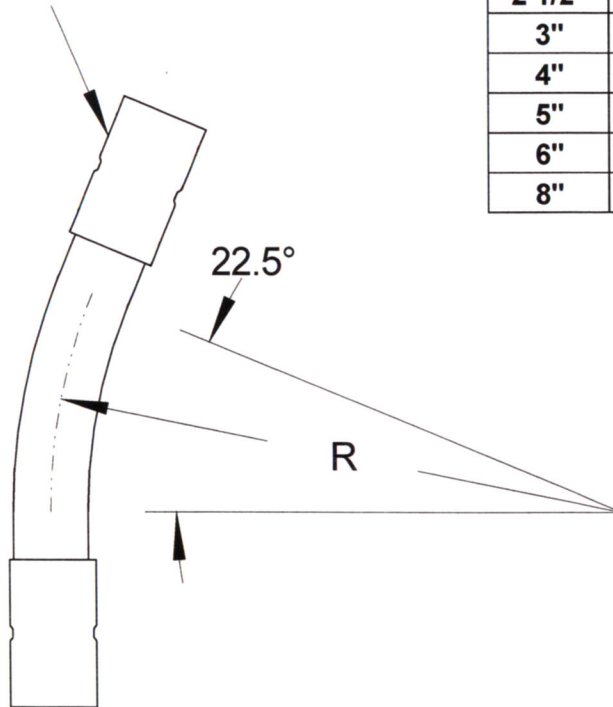


DEEP SOCKET S/40 PVC COUPLING



SIZE	DIAMETER "D"	RADIUS "R"	WALL THICKNESS	PART NUMBER	WEIGHT (LBS.)
1/2"	.84"	60"	.070"	FGSW-052260	0.6088
3/4"	1.05"	60"	.070"	FGSW-0752260	0.6462
1"	1.315"	60"	.070"	FGSW-12260	0.7714
1 1/4"	1.66"	60"	.070"	FGSW-1252260	1.0712
1 1/2"	1.9"	60"	.070"	FGSW-1502260	1.496
2"	2.375"	60"	.070"	FGSW-22260	1.9342
2 1/2"	2.875"	60"	.070"	FGSW-2502260	2.7164
3"	3.5"	60"	.070"	FGSW-32260	4.503
4"	4.5"	60"	.070"	FGSW-42260	6.53
5"	5.563"	60"	.070"	FGSW-52260	6.274
6"	6.625"	60"	.070"	FGSW-62260	13.106
8"	8.625"	60"	.096"	FGSW-82260	21.756

**RACEWAYS TECHNOLOGY
& MFG., INC.**

TACOMA, WA

22.5 DEGREE FIBERGLASS ELBOW 60" RADIUS
(STANDARD WALL)

DEEP SOCKET PVC COUPLINGS CONFORM TO UL 651 SPECIFICATIONS

NO SCALE

RTP

2012