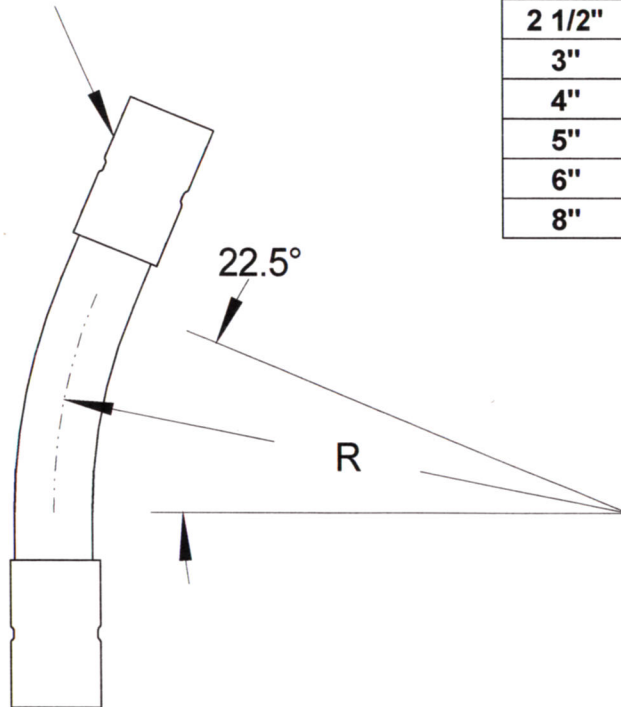


DEEP SOCKET S/40 PVC COUPLING



SIZE	DIAMETER "D"	RADIUS "R"	WALL THICKNESS	PART NUMBER	WEIGHT (LBS.)
1/2"	.84"	72"	.070"	FGSW-052272	0.694
3/4"	1.05"	72"	.070"	FGSW-0752272	0.7314
1"	1.315"	72"	.070"	FGSW-12272	0.8662
1 1/4"	1.66"	72"	.070"	FGSW-1252272	1.1864
1 1/2"	1.9"	72"	.070"	FGSW-1502272	1.661
2"	2.375"	72"	.070"	FGSW-22272	2.1244
2 1/2"	2.875"	72"	.070"	FGSW-2502272	2.8696
3"	3.5	72"	.070"	FGSW-32272	4.653
4"	4.5"	72"	.070"	FGSW-42272	6.65
5"	5.563"	72"	.070"	FGSW-52272	9.424
6"	6.625"	72"	.070"	FGSW-62272	13.272
8"	8.625"	72"	.096"	FGSW-82272	23.103

**RACEWAYS TECHNOLOGY
& MFG., INC.**

TACOMA, WA

22.5 DEGREE FIBERGLASS ELBOW 72" RADIUS
(STANDARD WALL)

DEEP SOCKET PVC COUPLINGS CONFORM TO UL 651 SPECIFICATIONS

NO SCALE

RTP

2012