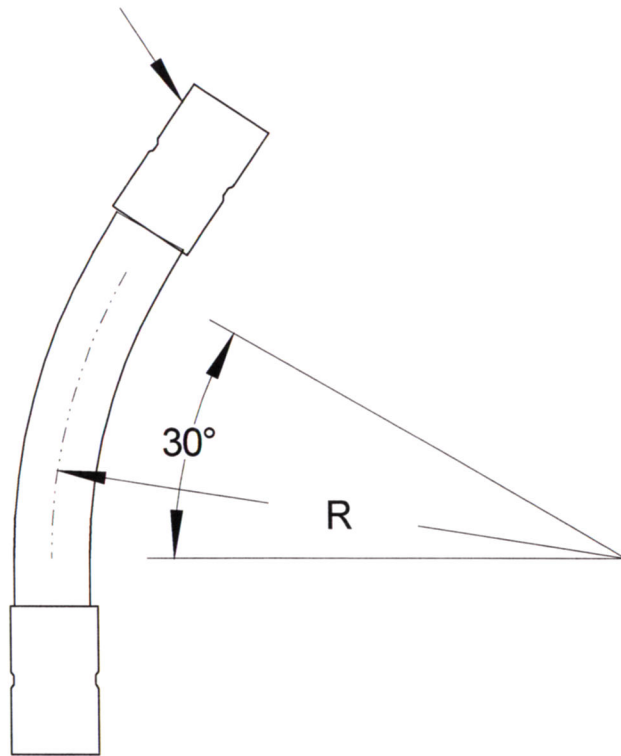


SIZE	DIAMETER "D"	RADIUS "R"	WALL THICKNES	PART NUMBER	WEIGHT (LBS.)
1/2"	.84"	12"	.070"	FGSW-053012	0.3858
3/4"	1.05"	12"	.070"	FGSW-0753012	0.4474
1"	1.315"	12"	.070"	FGSW-13012	0.5502
1 1/4"	1.66"	12"	.070"	FGSW-1253012	0.8024
1 1/2"	1.9"	12"	.070"	FGSW-1503012	0.605
2"	2.375"	12"	.070"	FGSW-23012	1.4904
2 1/2"	2.875"	12"	.070"	FGSW-2503012	2.1802

DEEP SOCKET S/40 PVC COUPLING



RACEWAYS TECHNOLOGY & MFG., INC.		
TACOMA, WA		
30 DEGREE FIBERGLASS ELBOW 12" RADIUS (STANDARD WALL)		
NO SCALE	RTP	2012

DEEP SOCKET S/40 PVC COUPLINGS CONFORM TO UL 651 SPECIFICATIONS