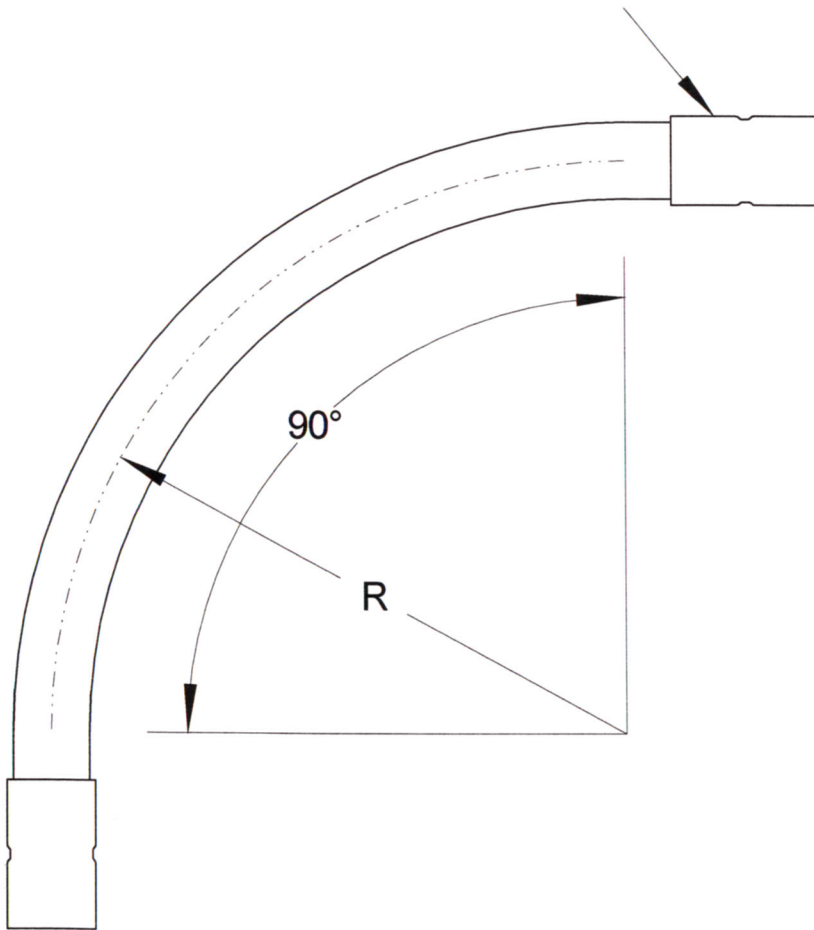


SIZE	DIAMETER "D"	RADIUS "R"	WALL THICKNES	PART NUMBER	WEIGHT (LBS.)
1/2"	.84"	12"	.070"	FGSW-059012	0.5168
3/4"	1.05"	12"	.070"	FGSW-0759012	0.5894
1"	1.315"	12"	.070"	FGSW-19012	0.7082
1 1/4"	1.66"	12"	.070"	FGSW-1259012	0.9944
1 1/2"	1.9"	12"	.070"	FGSW-1509012	1.386
2"	2.375"	12"	.070"	FGSW-29012	1.807
2 1/2"	2.875"	12"	.070"	FGSW-2509012	2.716

DEEP SOCKET PVC COUPLING



DEEP SOCKET PVC COUPLINGS CONFORM TO UL 651 SPECIFICATIONS

**RACEWAYS TECHNOLOGY  
& MFG., INC.**

TACOMA, WA

90 DEGREE FIBERGLASS ELBOW 12" RADIUS  
(STANDARD WALL)

NO SCALE

RTP

2012