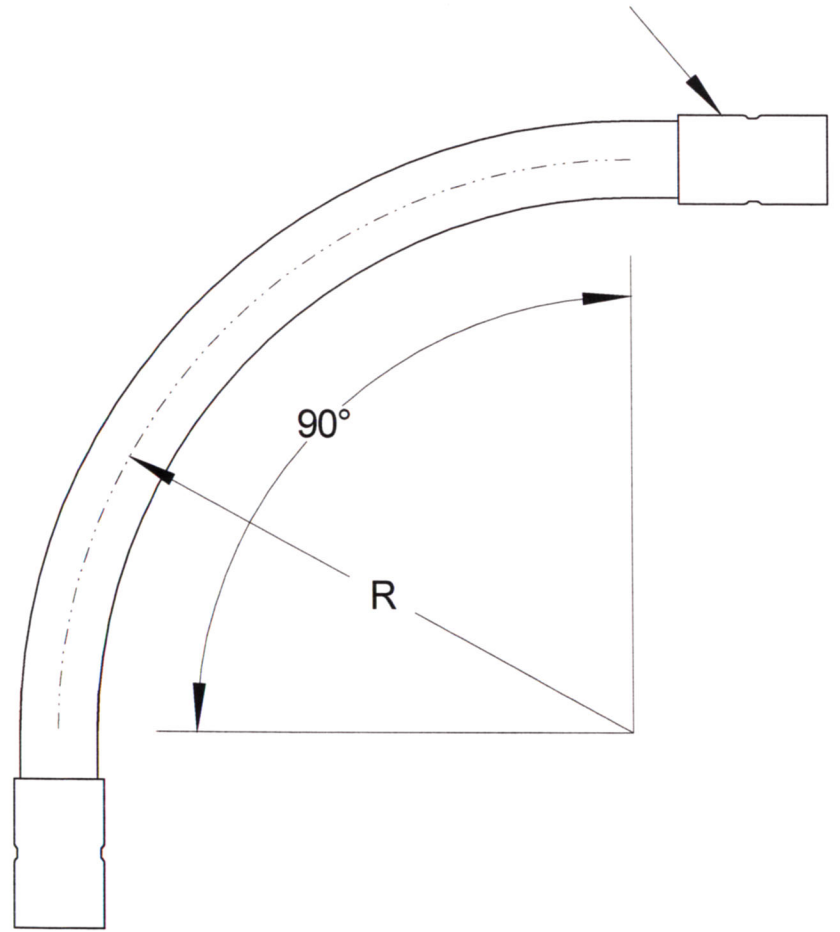


SIZE	DIAMETER "D"	RADIUS "R"	WALL THICKNES	PART NUMBER	WEIGHT (LBS.)
1/2"	.84"	18"	.070"	FGSW-059018	0.6216
3/4"	1.05"	18"	.070"	FGSW-0759018	0.703
1"	1.315"	18"	.070"	FGSW-19018	0.8346
1 1/4"	1.66"	18"	.070"	FGSW-1259018	1.148
1 1/2"	1.9"	18"	.070"	FGSW-1509018	1.606
2"	2.375"	18"	.070"	FGSW-29018	2.061
2 1/2"	2.875"	18"	.070"	FGSW-2509018	2.793
3"	3.5	18"	.070"	FGSW-39018	4.653
4"	4.5"	18"	.070"	FGSW-49018	4.851

DEEP SOCKET PVC COUPLING



DEEP SOCKET PVC COUPLINGS CONFORM TO UL 651 SPECIFICATIONS

RACEWAYS TECHNOLOGY & MFG., INC.		
TACOMA, WA		
90 DEGREE FIBERGLASS ELBOW 18" RADIUS (STANDARD WALL)		
NO SCALE	RTP	2012