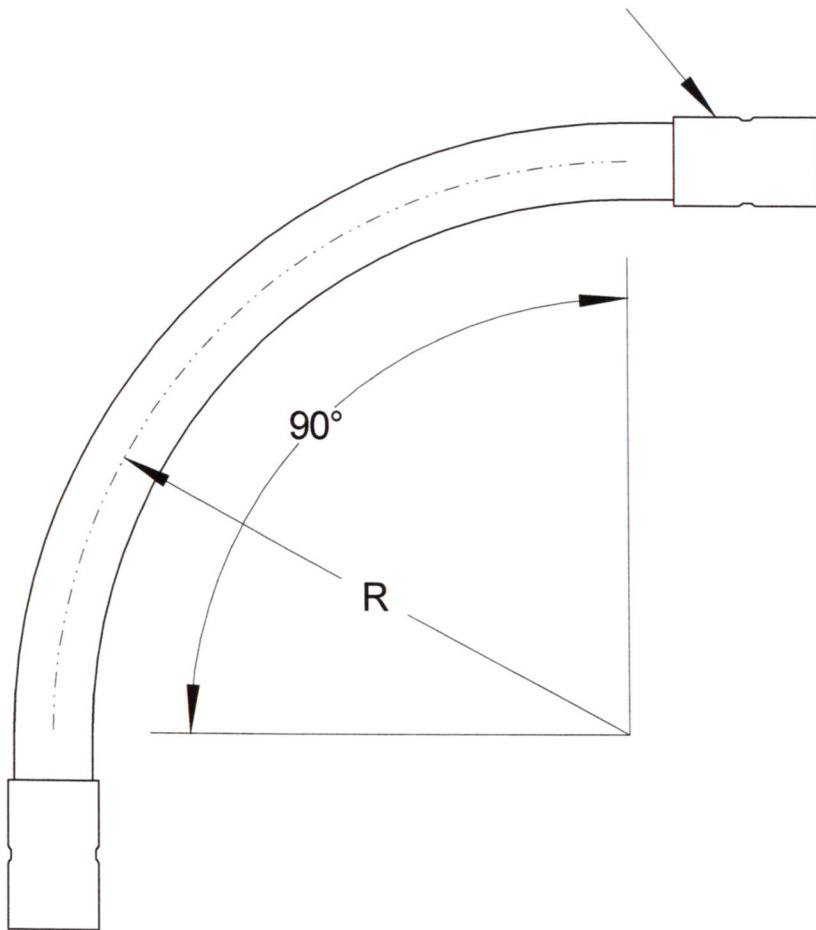


DEEP SOCKET PVC COUPLING



SIZE	DIAMETER "D"	RADIUS "R"	WALL THICKNES	PART NUMBER	WEIGH T (LBS.)
1/2"	.84"	36"	.070"	FGSW-059036	1.0146
3/4"	1.05"	36"	.070"	FGSW-0759036	1.129
1"	1.315"	36"	.070"	FGSW-19036	1.3086
1 1/4"	1.66"	36"	.070"	FGSW-1259036	1.724
1 1/2"	1.9"	36"	.070"	FGSW-1509036	2.431
2"	2.375"	36"	.070"	FGSW-29036	3.012
2 1/2"	2.875"	36"	.070"	FGSW-2509036	3.942
3"	3.5	36"	.070"	FGSW-39036	6.053
4"	4.5"	36"	.070"	FGSW-49036	8.45
5"	5.563"	36"	.070"	FGSW-59036	11.749
6"	6.625"	36"	.070"	FGSW-69036	15.854

DEEP SOCKET PVC COUPLINGS CONFORM TO UL 651 SPECIFICATIONS

**RACEWAYS TECHNOLOGY  
& MFG., INC.**

TACOMA, WA

90 DEGREE FIBERGLASS ELBOW 36" RADIUS  
(STANDARD WALL)

NO SCALE

RTP

2012