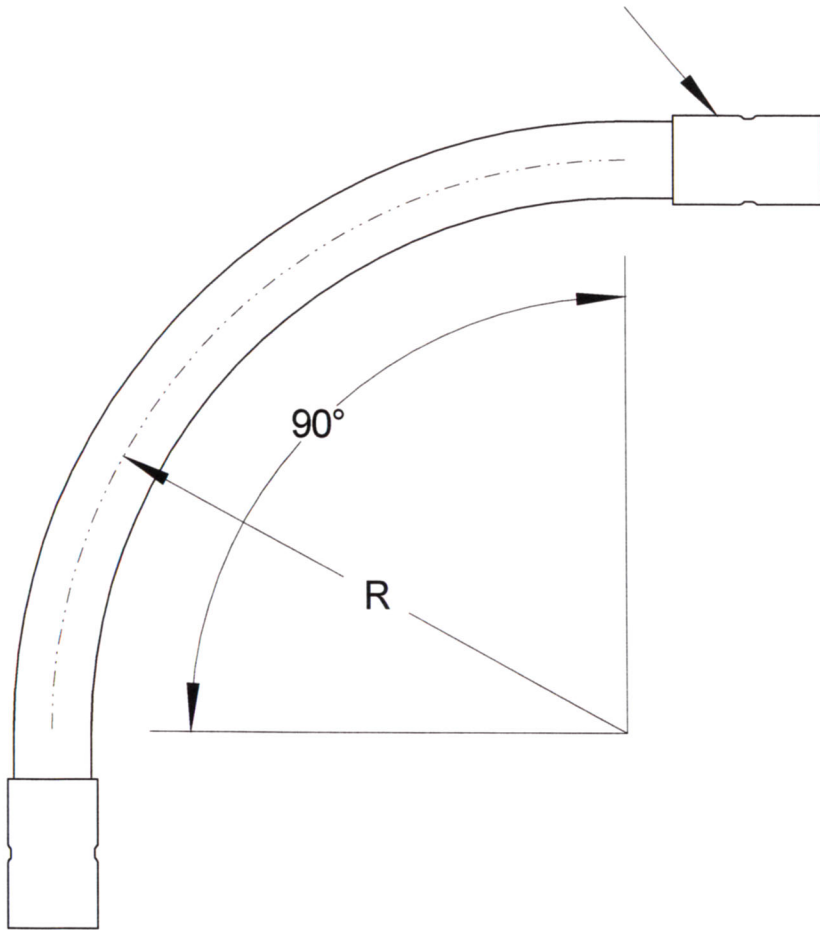


DEEP SOCKET PVC COUPLING



SIZE	DIAMETER "D"	RADIUS "R"	WALL THICKNES	PART NUMBER	WEIGHT (LBS.)
1/2"	.84"	60"	.070"	FGSW-059060	0.0976
3/4"	1.05"	60"	.070"	FGSW-0759060	1.6615
1"	1.315"	60"	.070"	FGSW-19060	1.9011
1 1/4"	1.66"	60"	.070"	FGSW-1259060	2.444
1 1/2"	1.9"	60"	.070"	FGSW-1509060	3.462
2"	2.375"	60"	.070"	FGSW-29060	4.2
2 1/2"	2.875"	60"	.070"	FGSW-2509060	5.378
3"	3.5"	60"	.070"	FGSW-39060	7.928
4"	4.5"	60"	.070"	FGSW-49060	10.58
5"	5.563"	60"	.070"	FGSW-59060	14.336
6"	6.625"	60"	.070"	FGSW-69060	18.724
8"	8.625"	60"	.096"	FGSW-89060	32.778

DEEP SOCKET PVC COUPLINGS CONFORM TO UL 651 SPECIFICATIONS

**RACEWAYS TECHNOLOGY
& MFG., INC.**

TACOMA, WA

90 DEGREE FIBERGLASS ELBOW 60" RADIUS
(STANDARD WALL)

NO SCALE

RTP

2012