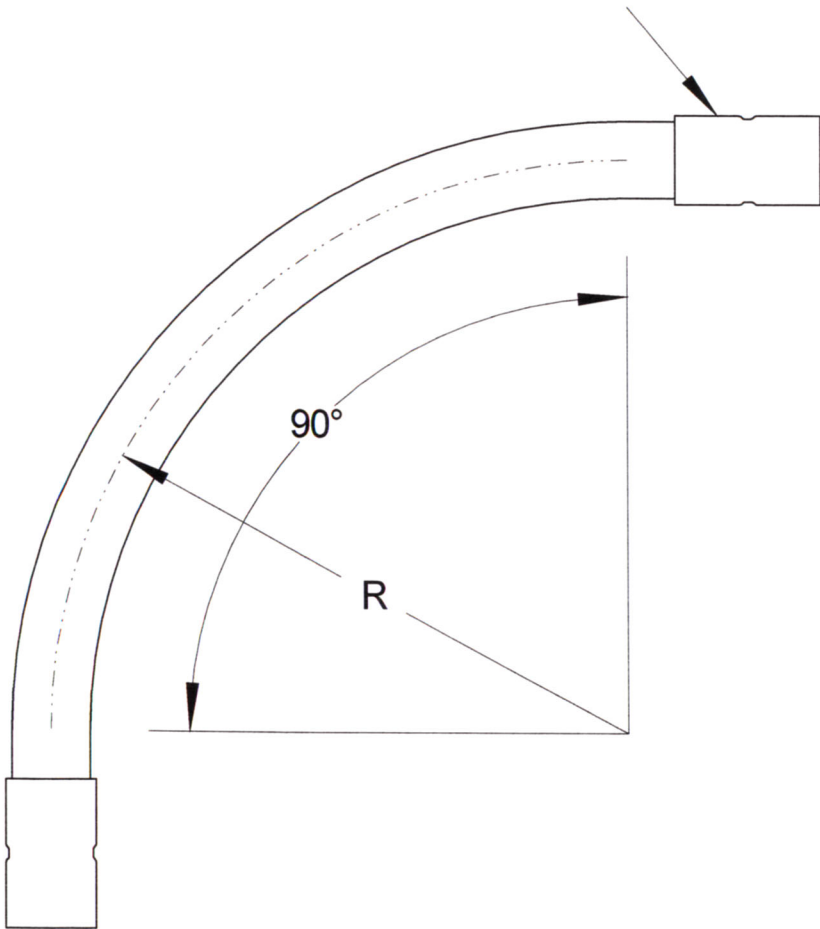


DEEP SOCKET PVC COUPLING



SIZE	DIAMETER "D"	RADIUS "R"	WALL THICKNES	PART NUMBER	WEIGHT (LBS.)
1/2"	.84"	72"	.070"	FGSW-059075	1.627
3/4"	1.05"	72"	.070"	FGSW-0759075	1.795
1"	1.315"	72"	.070"	FGSW-19075	2.0426
1 1/4"	1.66"	72"	.070"	FGSW-1259075	2.62
1 1/2"	1.9"	72"	.070"	FGSW-1509075	3.986
2"	2.375"	72"	.070"	FGSW-29075	4.493
2 1/2"	2.875"	72"	.070"	FGSW-2509075	5.741
3"	3.5	72"	.070"	FGSW-39075	8.403
4"	4.5"	72"	.070"	FGSW-49075	11.15
5"	5.563"	72"	.070"	FGSW-59075	15.044
6"	6.625"	72"	.070"	FGSW-69075	19.764
8"	8.625"	72"	.096"	FGSW-89075	28.268

DEEP SOCKET PVC COUPLINGS CONFORM TO UL 651 SPECIFICATIONS

**RACEWAYS TECHNOLOGY
& MFG., INC.**

TACOMA, WA

90 DEGREE FIBERGLASS ELBOW 72" RADIUS
(STANDARD WALL)

NO SCALE

RTP

2012