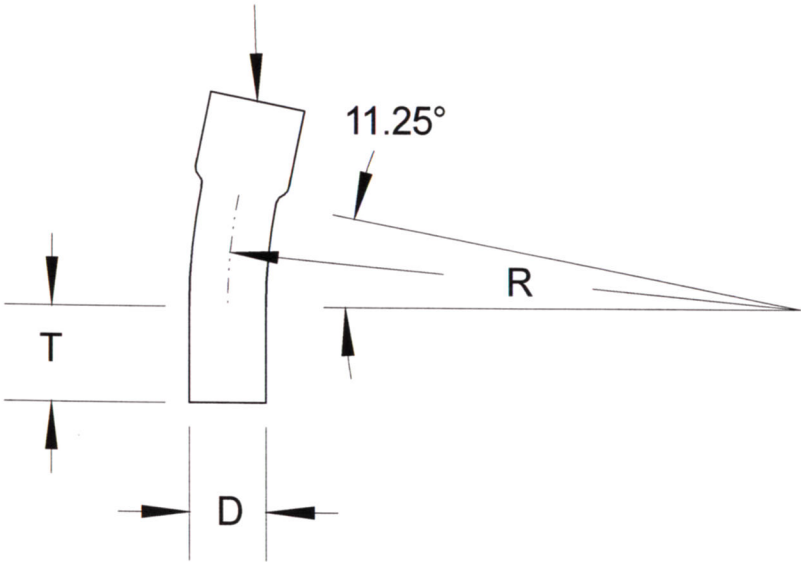


SIZE	DIAMETER "D"	RADIUS "R"	TANGENT "T" (MIN.)	PART NUMBER	WEIGHT (LBS.)
1"	1.315"	12"	1.875"	DB-11112	0.075
1 1/2"	1.9"	12"	2"	DB-1501112	0.138
2"	2.375"	12"	2"	DB-21112	0.234

INTEGRAL COUPLING



**RACEWAYS TECHNOLOGY
& MFG., INC.**
TACOMA, WA

11.25 DEGREE DB120 PVC ELBOW 12" RADIUS

NO SCALE	RTP	2012
----------	-----	------