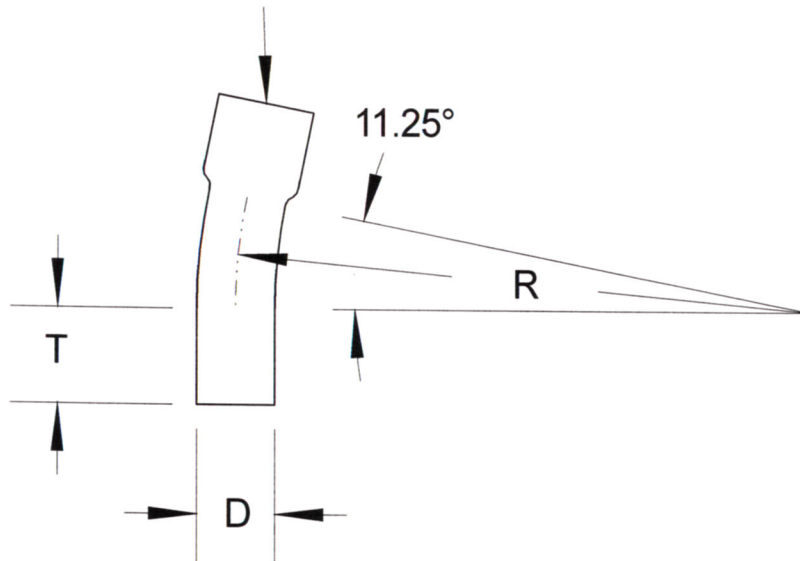


SIZE	DIAMETER "D"	RADIUS "R"	TANGENT "T" (MIN.)	PART NUMBER	WEIGHT (LBS.)
1"	1.315"	18"	1.875"	DB-11118	0.075
1 1/2"	1.9"	18"	2"	DB-1501118	0.189
2"	2.375"	18"	2"	DB-21118	0.0813
3"	3.5	18"	3.125"	DB-31118	0.7703
4"	4.5"	18"	3.375"	DB-41118	1.5925

INTEGRAL COUPLING



**RACEWAYS TECHNOLOGY  
& MFG., INC.**  
TACOMA, WA

11.25 DEGREE DB120 PVC ELBOW 18" RADIUS

NO SCALE

RTP

2012