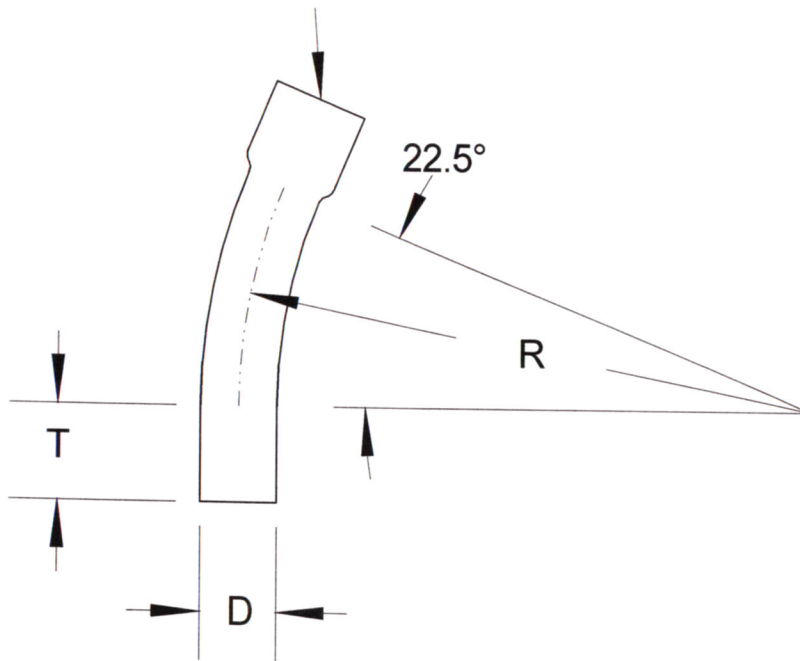


SIZE	DIAMETER "D"	RADIUS "R"	TANGENT "T" (MIN.)	PART NUMBER	WEIGHT (LBS.)
1"	1.315"	18"	1.875"	DB-12218	0.165
1 1/2"	1.9"	18"	2"	DB-1502218	0.253
2"	2.375"	18"	2"	DB-22218	0.396
3"	3.5	18"	3.125"	DB-32218	1.106
4"	4.5"	18"	3.375"	DB34418	2.08

INTEGRAL COUPLING



**RACEWAYS TECHNOLOGY
& MFG., INC.**
TACOMA, WA

22.5 DEGREE DB120 PVC ELBOW 18" RADIUS

NO SCALE

RTP

2012