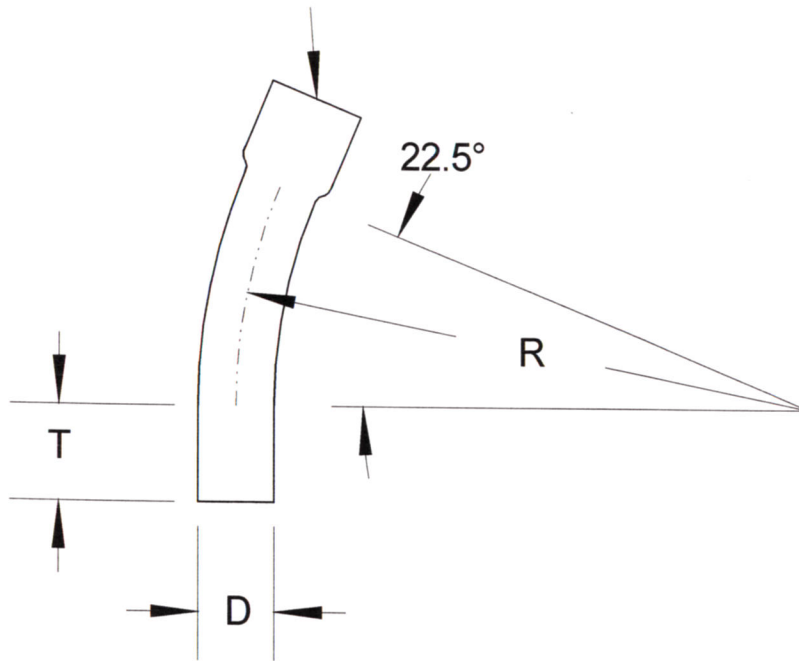


| SIZE   | DIAMETER<br>"D" | RADIUS<br>"R" | TANGENT<br>"T" (MIN.) | PART NUMBER | WEIGHT<br>(LBS.) |
|--------|-----------------|---------------|-----------------------|-------------|------------------|
| 1"     | 1.315"          | 24"           | 1.875"                | DB-12224    | 0.2213           |
| 1 1/2" | 1.9"            | 24"           | 2"                    | DB-1502224  | 0.3393           |
| 2"     | 2.375"          | 24"           | 2"                    | DB-22224    | 0.531            |
| 3"     | 3.5             | 24"           | 3.125"                | DB-32224    | 1.2443           |
| 4"     | 4.5"            | 24"           | 3.375"                | DB-42224    | 2.34             |
| 5"     | 5.563"          | 24"           | 3.625"                | DB-522STD   | 3.636            |

### INTEGRAL COUPLING



**RACEWAYS TECHNOLOGY  
& MFG., INC.**

TACOMA, WA

22.5 DEGREE DB120 PVC ELBOW 24" RADIUS

NO SCALE

RTP

2012