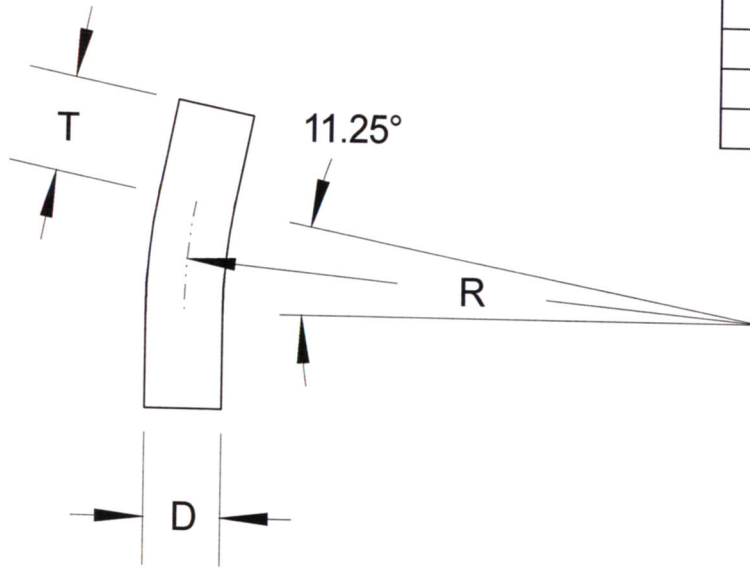


ALL S/40 CONDUIT ELBOWS AND SWEEPS MANUFACTURED BY RACEWAYS TECHNOLOGY ARE MADE FROM ETL OR UL LISTED PVC PIPE TO UL 651 SPECIFICATIONS.

SIZE	DIAMETER "D"	RADIUS "R"	TANGENT "T" (MIN.)	PART NUMBER	WEIGHT (LBS.)
1/2"	0.84"	60"	1.5"	S40-051160	0.197
3/4"	1.05"	60"	1.5"	S40-0751160	0.258
1"	1.315"	60"	1.875"	S40-11160	0.393
1 1/4"	1.66"	60"	2"	S40-1251160	0.565
1 1/2"	1.9"	60"	2"	S40-1501160	0.676
2"	2.375"	60"	2"	S40-21160	0.897
2 1/2"	2.875"	60"	3"	S40-2501160	1.426
3"	3.5	60"	3.125"	S40-31160	1.932
3 1/2"	4"	60"	3.25"	S40-3501160	2.158
4"	4.5"	60"	3.375"	S40-41160	3.884
5"	5.563"	60"	3.625"	S40-51160	6.667
6"	6.625"	60"	3.75"	S40-61160	8.646
8"	8.625"	60"	6.625"	S40-81160	14.688



**RACEWAYS TECHNOLOGY
& MFG., INC.**
TACOMA, WA

11.25 DEGREE S/40 PVC ELBOW 60" RADIUS

NO SCALE RTP 2012

INTEGRAL COUPLINGS AVAILABLE ON REQUEST
INTEGRAL COUPLINGS CONFORM TO UL 651 SPECIFICATIONS