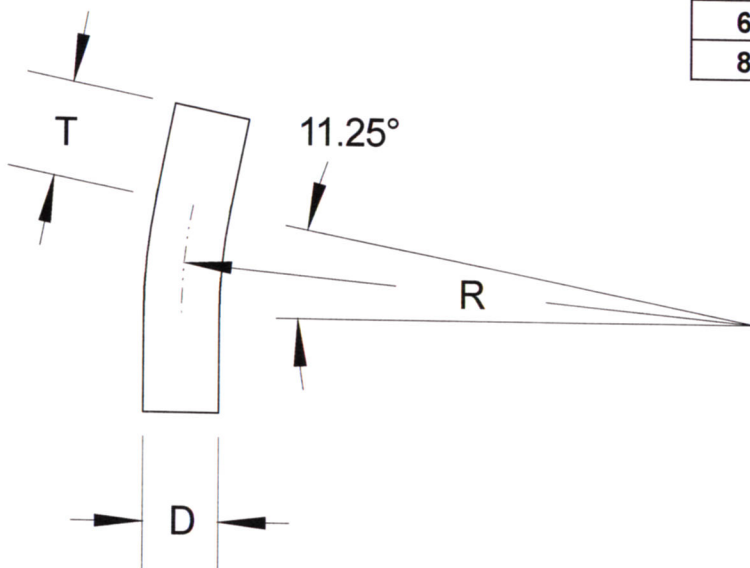


ALL S/40 CONDUIT ELBOWS AND SWEEPS MANUFACTURED BY RACEWAYS TECHNOLOGY ARE MADE FROM ETL OR UL LISTED PVC PIPE TO UL 651 SPECIFICATIONS.

SIZE	DIAMETER "D"	RADIUS "R"	TANGENT "T" (MIN.)	PART NUMBER	WEIGHT (LBS.)
1/2"	0.84"	72"	1.5"	S40-051172	0.351
3/4"	1.05"	72"	1.5"	S40-0751172	0.486
1"	1.315"	72"	1.875"	S40-11172	0.729
1 1/4"	1.66"	72"	2"	S40-1251172	1.026
1 1/2"	1.9"	72"	2"	S40-1501172	1.242
2"	2.375"	72"	2"	S40-21172	1.647
2 1/2"	2.875"	72"	3"	S40-2501172	2.619
3"	3.5"	72"	3.125"	S40-31172	3.726
3 1/2"	4"	72"	3.25"	S40-3501172	4.482
4"	4.5"	72"	3.375"	S40-41172	5.319
5"	5.563"	72"	3.625"	S40-51172	7.209
6"	6.625"	72"	3.75"	S40-61172	9.342
8"	8.625"	72"	6.625"	S40-81172	12.393



**RACEWAYS TECHNOLOGY  
& MFG., INC.**

TACOMA, WA

11.25 DEGREE S/40 PVC ELBOW 72" RADIUS

NO SCALE

RTP

2012

INTEGRAL COUPLINGS AVAILABLE ON REQUEST  
INTEGRAL COUPLINGS CONFORM TO UL 651 SPECIFICATIONS