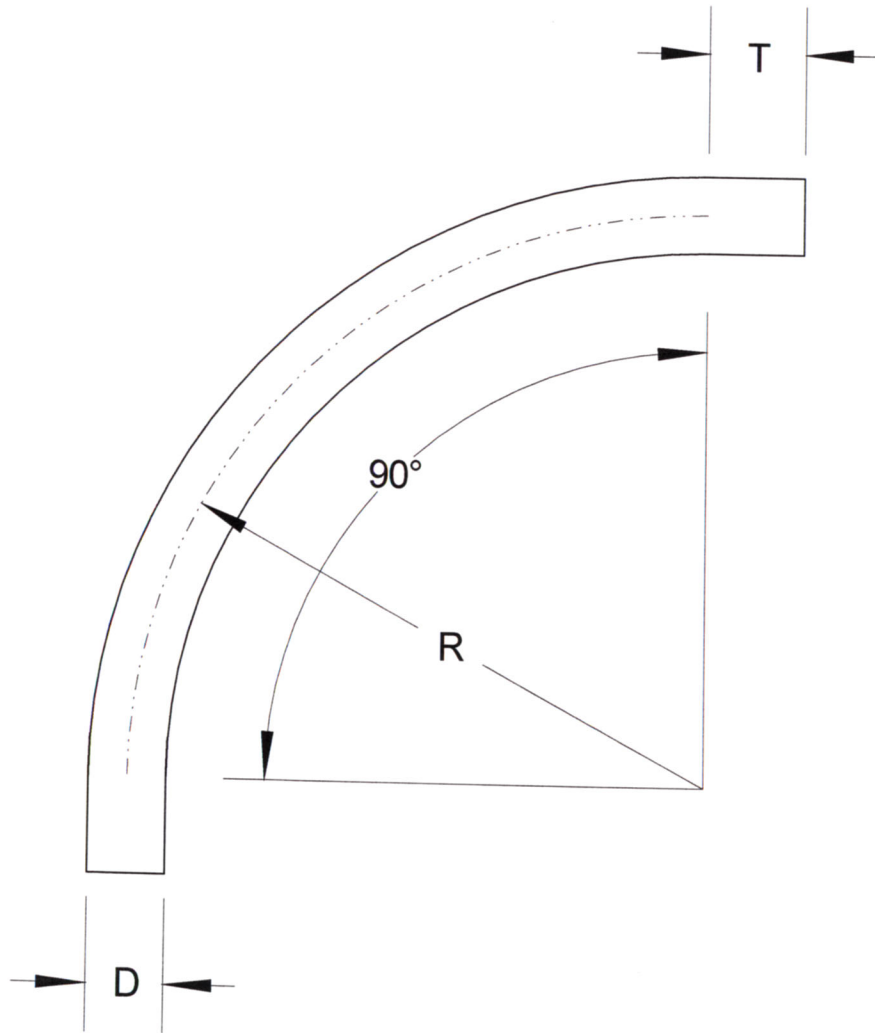


ALL S/40 CONDUIT ELBOWS AND SWEEPS MANUFACTURED BY RACEWAYS TECHNOLOGY ARE MADE FROM ETL OR UL LISTED PVC PIPE TO UL 651 SPECIFICATIONS.



SIZE	DIAMETER "D"	RADIUS "R"	TANGENT "T" (MIN.)	PART NUMBER	WEIGHT (LBS.)
1/2"	.84"	48"	1.5"	S40-059048	0.797
3/4"	1.05"	48"	1.5"	S40-0759048	1.046
1"	1.315"	48"	1.875"	S40-19048	2.127
1 1/4"	1.66"	48"	2"	S40-1259048	3.057
1 1/2"	1.9"	48"	2"	S40-1509048	3.655
2"	2.375"	48"	2"	S40-29048	4.851
2 1/2"	2.875"	48"	3"	S40-2509048	7.709
3"	3.5	48"	3.125"	S40-39048	10.513
3 1/2"	4"	48"	3.25"	S40-3509048	13.225
4"	4.5"	48"	3.375"	S40-49048	15.684
5"	5.563"	48"	3.625"	S40-59048	22.4
6"	6.625"	48"	3.75"	S40-69048	31.039
8"	8.625"	48"	6.625"	S40-89048	51.123

INTEGRAL COUPLINGS AVAILABLE ON REQUEST
INTEGRAL COUPLINGS CONFORM TO UL 651 SPECIFICATIONS

**RACEWAYS TECHNOLOGY
& MFG., INC.**
TACOMA, WA

90 DEGREE S/40 PVC ELBOW 48" RADIUS

NO SCALE

RTP

2012