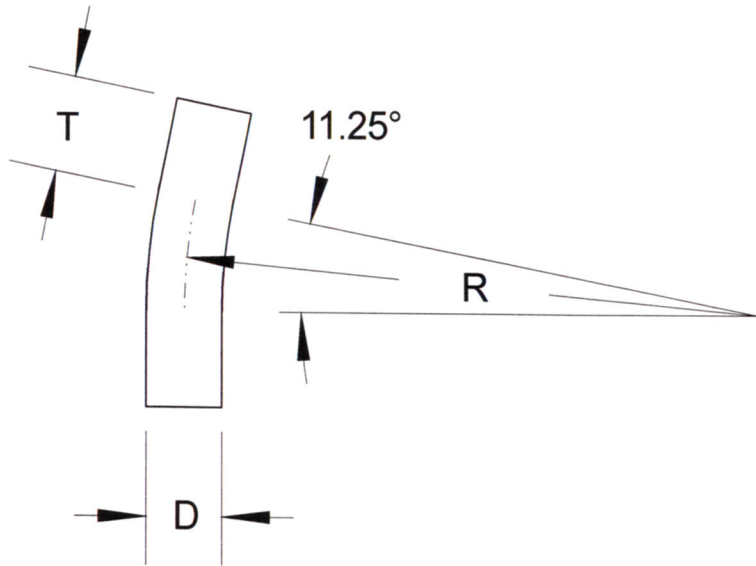


SIZE	DIAMETER "D"	RADIUS "R"	TANGENT "T" (MIN.)	PART NUMBER	WEIGHT (LBS.)
1/2"	.84"	18"	1.5"	S40W-051118	0.117
3/4"	1.05"	18"	1.5"	S40W-0751118	0.151
1"	1.315"	18"	1.875"	S40W-11118	0.227
1 1/4"	1.66"	18"	2"	S40W-1251118	0.303
1 1/2"	1.9"	18"	2"	S40W-1501118	0.356
2"	2.375"	18"	2"	S40W-21118	0.478
2 1/2"	2.875"	18"	3"	S40W-2501118	0.777
3"	3.5"	18"	3.125"	S40W-31118	1.194
4"	4.5"	18"	3.375"	S40W-41118	1.706



INTEGRAL COUPLINGS AVAILABLE ON REQUEST

**RACEWAYS TECHNOLOGY
& MFG., INC.**
TACOMA, WA

11.25 DEGREE S/40 NSF PVC ELBOW 18" RADIUS

NO SCALE

RTP

2012