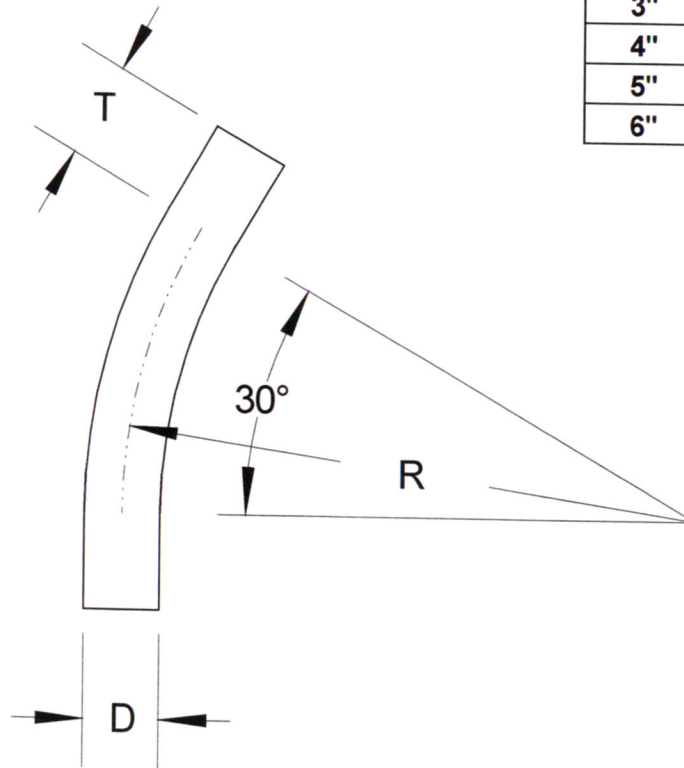


SIZE	DIAMETER "D"	RADIUS "R"	TANGENT "T" (MIN.)	PART NUMBER	WEIGHT (LBS.)
1/2"	.84"	36"	1.5"	S40W-053036	0.326
3/4"	1.05"	36"	1.5"	S40W-0753036	0.422
1"	1.315"	36"	1.875"	S40W-13036	0.633
1 1/4"	1.66"	36"	2"	S40W-1253036	0.843
1 1/2"	1.9"	36"	2"	S40W-1503036	0.993
2"	2.375"	36"	2"	S40W-23036	1.332
2 1/2"	2.875"	36"	3"	S40W-2503036	2.166
3"	3.5	36"	3.125"	S40W-33036	2.909
4"	4.5"	36"	3.375"	S40W-43036	4.156
5"	5.563"	36"	3.625"	S40W-53036	6.768
6"	6.625"	36"	3.75"	S40W-63036	8.587



INTEGRAL COUPLINGS AVAILABLE ON REQUEST

**RACEWAYS TECHNOLOGY  
& MFG., INC.**

TACOMA, WA

30 DEGREE S/40 NSF PVC ELBOW 36" RADIUS

NO SCALE

RTP

2012