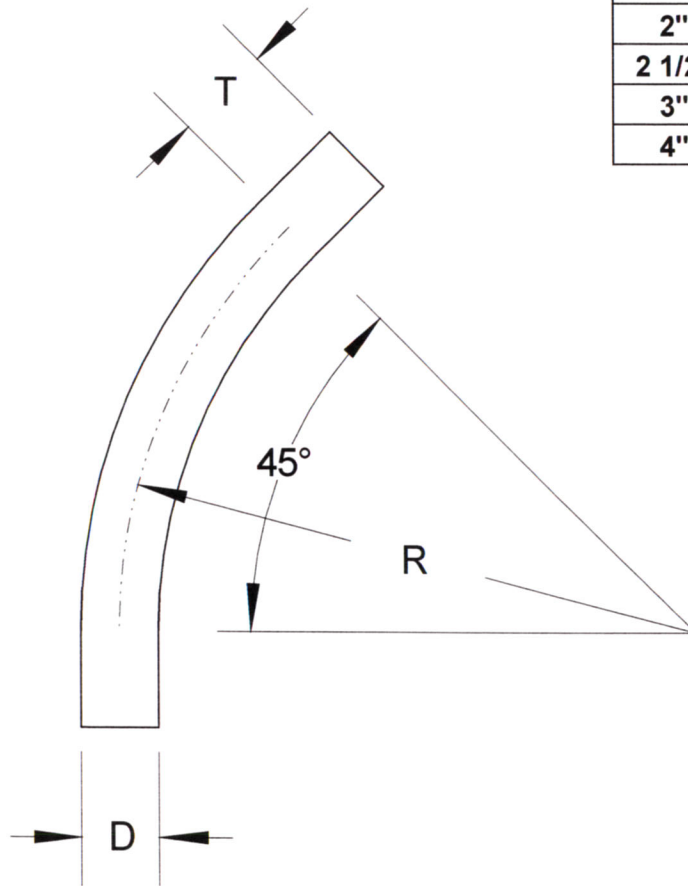


SIZE	DIAMETER "D"	RADIUS "R"	TANGENT "T" (MIN.)	PART NUMBER	WEIGHT (LBS.)
1/2"	.84"	18"	1.5"	S40W-054518	0.28
3/4"	1.05"	18"	1.5"	S40W-0754518	0.362
1"	1.315"	18"	1.875"	S40W-14518	0.543
1 1/4"	1.66"	18"	2"	S40W-1254518	0.724
1 1/2"	1.9"	18"	2"	S40W-1504518	0.853
2"	2.375"	18"	2"	S40W-24518	1.144
2 1/2"	2.875"	18"	3"	S40W-2504518	1.86
3"	3.5"	18"	3.125"	S40W-34518	2.205
4"	4.5"	18"	3.375"	S40W-44518	3.456



INTEGRAL COUPLINGS AVAILABLE ON REQUEST

**RACEWAYS TECHNOLOGY
& MFG., INC.**

TACOMA, WA

45 DEGREE S/40 NSF PVC ELBOW 18" RADIUS

NO SCALE

RTP

2012