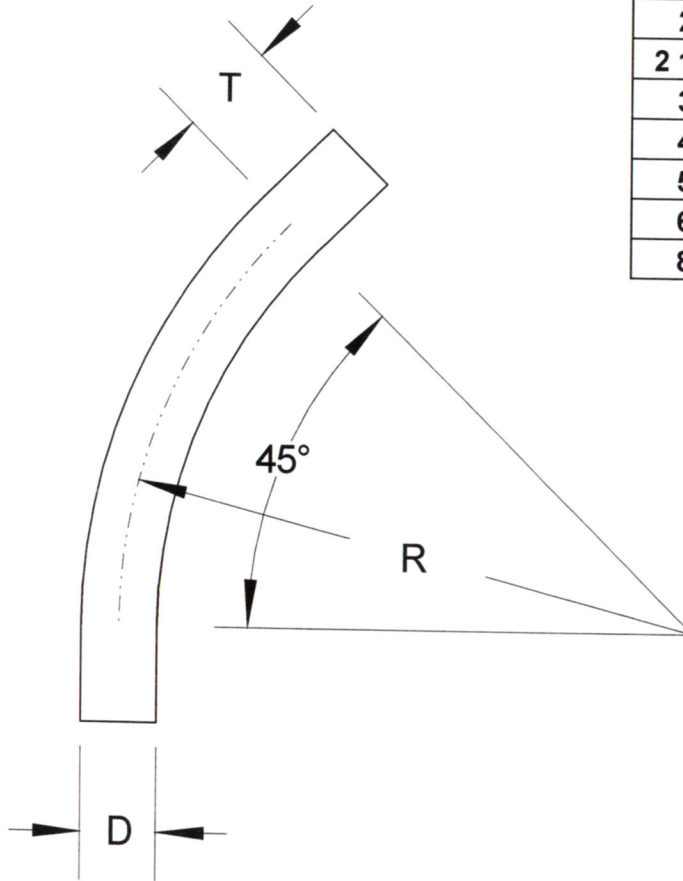


SIZE	DIAMETER "D"	RADIUS "R"	TANGENT "T" (MIN.)	PART NUMBER	WEIGHT (LBS.)
1/2"	.84"	48"	1.5"	S40W-054548	0.563
3/4"	1.05"	48"	1.5"	S40W-0754548	0.729
1"	1.315"	48"	1.875"	S40W-14548	1.093
1 1/4"	1.66"	48"	2"	S40W-1254548	1.459
1 1/2"	1.9"	48"	2"	S40W-1504548	1.716
2"	2.375"	48"	2"	S40W-24548	2.302
2 1/2"	2.875"	48"	3"	S40W-2504548	3.743
3"	3.5	48"	3.125"	S40W-34548	4.869
4"	4.5"	48"	3.375"	S40W-44548	6.956
5"	5.563"	48"	3.625"	S40W-54548	10.92
6"	6.625"	48"	3.75"	S40W-64548	14.72
8"	8.625"	48"	6.625"	S40W-84548	24.786



INTEGRAL COUPLINGS AVAILABLE ON REQUEST

**RACEWAYS TECHNOLOGY  
& MFG., INC.**  
TACOMA, WA

45 DEGREE S/40 NSF PVC ELBOW 48" RADIUS

NO SCALE

RTP

2012