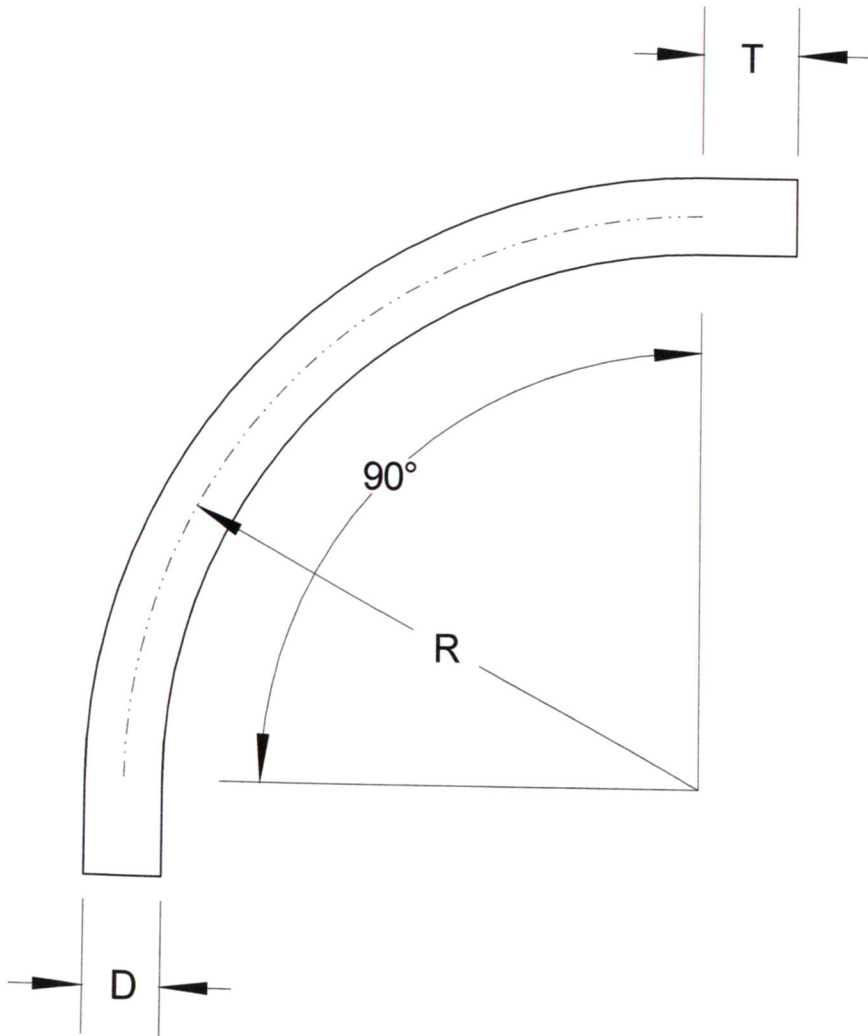


SIZE	DIAMETER "D"	RADIUS "R"	TANGENT "T" (MIN.)	PART NUMBER	WEIGHT (LBS.)
1/2"	.84"	18"	1.5"	S40W-059018	0.421
3/4"	1.05"	18"	1.5"	S40W-0759018	0.545
1"	1.315"	18"	1.875"	S40W-19018	0.818
1 1/4"	1.66"	18"	2"	S40W-1259018	1.091
1 1/2"	1.9"	18"	2"	S40W-1509018	1.284
2"	2.375"	18"	2"	S40W-29018	1.723
2 1/2"	2.875"	18"	3"	S40W-2509018	2.801
3"	3.5	18"	3.125"	S40W-39018	3.644
4"	4.5"	18"	3.375"	S40W-49018	6.125



INTEGRAL COUPLINGS AVAILABLE ON REQUEST

**RACEWAYS TECHNOLOGY
& MFG., INC.**
TACOMA, WA

90 DEGREE S/40 NSF PVC ELBOW 18" RADIUS

NO SCALE

RTP

2012