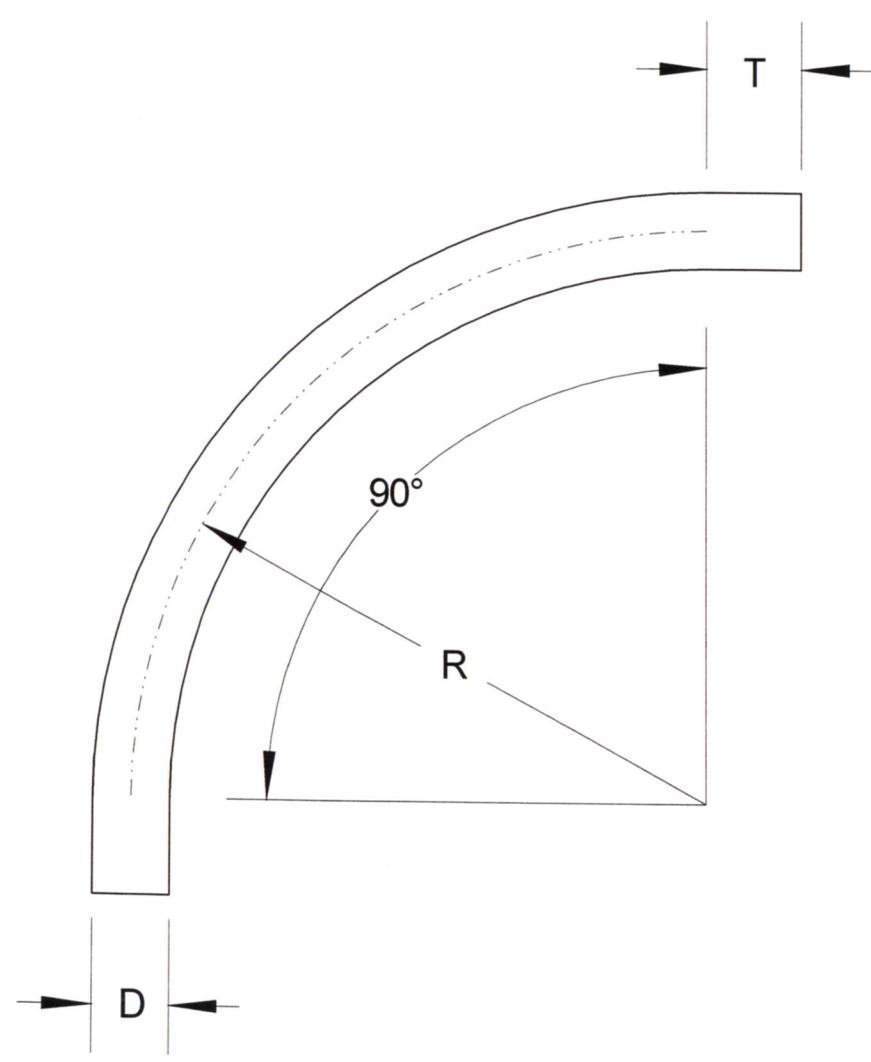


SIZE	DIAMETER "D"	RADIUS "R"	TANGENT "T" (MIN.)	PART NUMBER	WEIGHT (LBS.)
1/2"	.84"	60"	1.5"	S40W-059060	1.346
3/4"	1.05"	60"	1.5"	S40W-0759060	1.751
1"	1.315"	60"	1.875"	S40W-19060	2.64
1 1/4"	1.66"	60"	2"	S40W-1259060	2.924
1 1/2"	1.9"	60"	2"	S40W-1509060	4.187
2"	2.375"	60"	2"	S40W-29060	5.676
2 1/2"	2.875"	60"	3"	S40W-2509060	9.417
3"	3.5	60"	3.125"	S40W-39060	12.25
4"	4.5"	60"	3.375"	S40W-49060	15.706
5"	5.563"	60"	3.625"	S40W-59060	23.66
6"	6.625"	60"	3.75"	S40W-69060	33.733
8"	8.625"	60"	6.625"	S40W-89060	50.949



INTEGRAL COUPLINGS AVAILABLE ON REQUEST

**RACEWAYS TECHNOLOGY
& MFG., INC.**
TACOMA, WA

90 DEGREE S/40 NSF PVC ELBOW 60" RADIUS

NO SCALE	RTP	2012
----------	-----	------