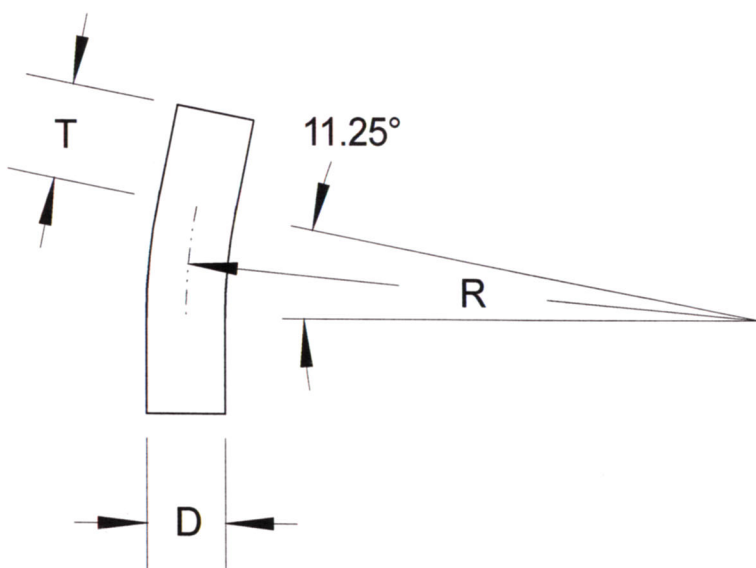


ALL S/80 CONDUIT ELBOWS AND SWEEPS MANUFACTURED BY RACEWAYS TECHNOLOGY ARE MADE FROM ETL OR UL LISTED PVC PIPE TO UL 651 SPECIFICATIONS.

| SIZE | DIAMETER "D" | RADIUS "R" | TANGENT "T" (MIN.) | PART NUMBER | WEIGHT (LBS.) |
|--------|--------------|------------|--------------------|-------------|---------------|
| 1/2" | .84" | 12" | 1.5" | S80-051112 | 0.09 |
| 3/4" | 1.05" | 12" | 1.5" | S80-0751112 | 0.115 |
| 1" | 1.315" | 12" | 1.875" | S80-11112 | 0.175 |
| 1 1/4" | 1.66" | 12" | 2" | S80-1251112 | 0.273 |
| 1 1/2" | 1.9" | 12" | 2" | S80-1501112 | 0.345 |
| 2" | 2.375" | 12" | 2" | S80-21112 | 0.52 |



INTEGRAL COUPLINGS AVAILABLE ON REQUEST
INTEGRAL COUPLINGS CONFORM TO UL 651 SPECIFICATIONS

**RACEWAYS TECHNOLOGY
& MFG., INC.**

TACOMA, WA

11.25 DEGREE S/80 PVC ELBOW 12" RADIUS

NO SCALE

RTP

2012