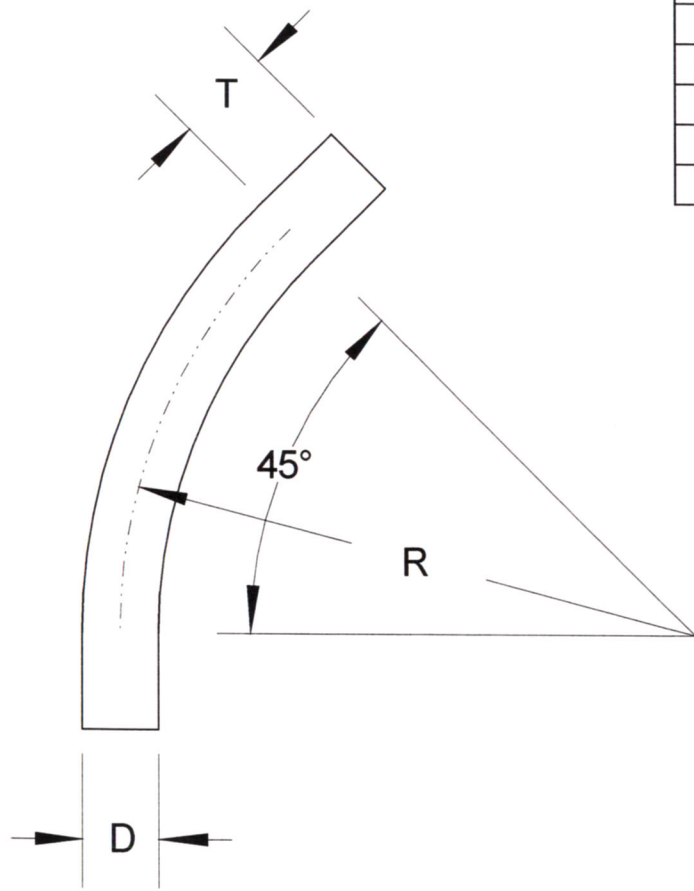


ALL S/80 CONDUIT ELBOWS AND SWEEPS MANUFACTURED BY RACEWAYS TECHNOLOGY ARE MADE FROM ETL OR UL LISTED PVC PIPE TO UL 651 SPECIFICATIONS.



SIZE	DIAMETER "D"	RADIUS "R"	TANGENT "T" (MIN.)	PART NUMBER	WEIGHT (LBS.)
1/2"	.84"	24"	1.5"	S80-054524	0.413
3/4"	1.05"	24"	1.5"	S80-0754524	0.554
1"	1.315"	24"	1.875"	S80-14524	0.691
1 1/4"	1.66"	24"	2"	S80-1254524	1.128
1 1/2"	1.9"	24"	2"	S80-1504524	1.366
2"	2.375"	24"	2"	S80-24524	1.9
2 1/2"	2.875"	24"	3"	S80-2504524	2.89
3"	3.5"	24"	3.125"	S80-34524	3.879
4"	4.5"	24"	3.375"	S80-44524	5.66
5"	5.563"	24"	3.625"	S80-524STD	8.767

INTEGRAL COUPLINGS AVAILABLE ON REQUEST  
 INTEGRAL COUPLINGS CONFORM TO UL 651 SPECIFICATIONS

**RACEWAYS TECHNOLOGY  
 & MFG., INC.**  
 TACOMA, WA

45 DEGREE S/80 PVC ELBOW 24" RADIUS

NO SCALE	RTP	2012
----------	-----	------