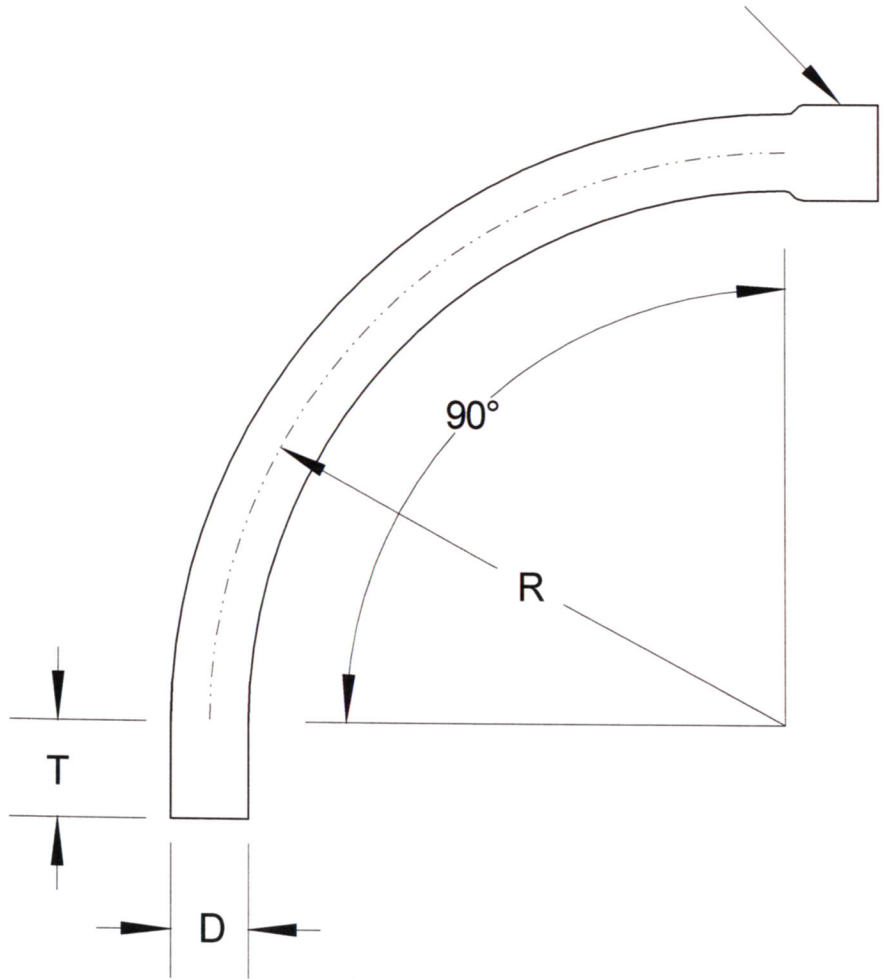


SIZE	DIAMETER "D"	RADIUS "R"	TANGENT "T" (MIN.)	PART NUMBER	WEIGHT (LBS.)
2"	2.375"	18	2"	S40B-29018	2.876

INTEGRAL COUPLING



RACEWAYS TECHNOLOGY & MFG., INC. TACOMA, WA		
90 DEGREE S/40 BUFF PVC ELBOW 18" RADIUS		
NO SCALE	RTP	2012