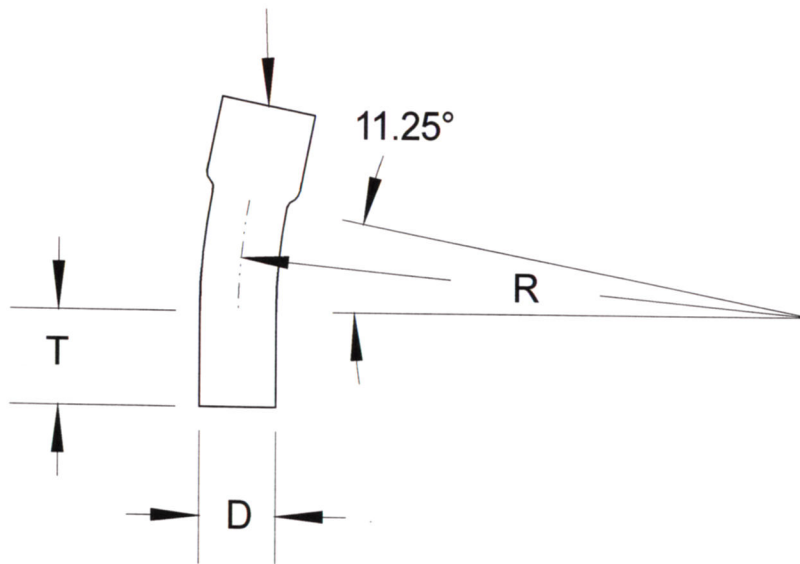


SIZE	DIAMETER "D"	RADIUS "R"	TANGENT "T" (MIN.)	PART NUMBER	WEIGHT (LBS.)
4"	4.35	36"	3.25	CD-41136	1.457

INTEGRAL COUPLING



**RACEWAYS TECHNOLOGY  
& MFG., INC.**  
TACOMA, WA

11.25 DEGREE C-DUCT PVC ELBOW 36" RADIUS

NO SCALE

RTP

2012