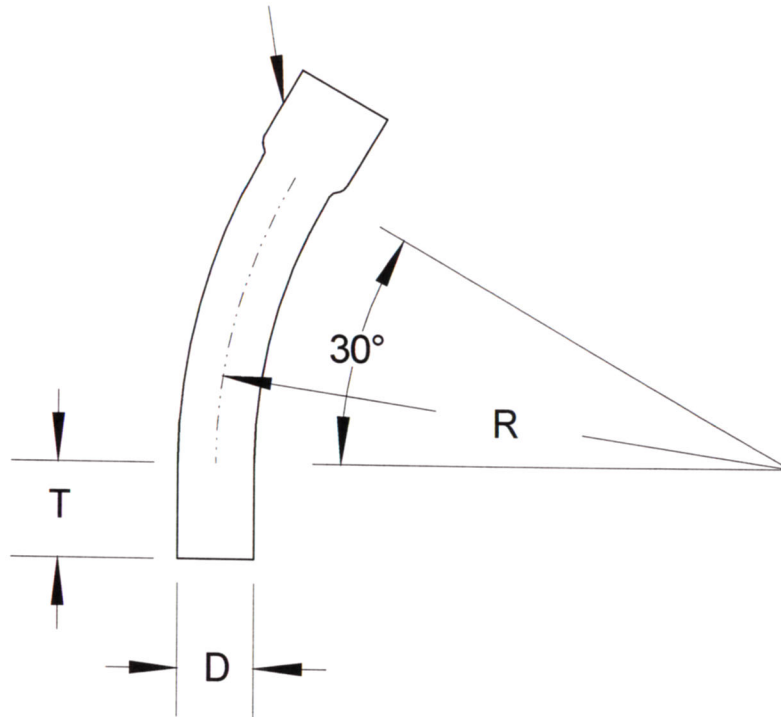


SIZE	DIAMETER "D"	RADIUS "R"	TANGENT "T" (MIN.)	PART NUMBER	WEIGHT (LBS.)
4"	4.35	18"	3.25	CD-43018	1.488

INTEGRAL COUPLING



**RACEWAYS TECHNOLOGY  
& MFG., INC.**  
TACOMA, WA

30 DEGREE C-DUCT PVC ELBOW 18" RADIUS

NO SCALE

RTP

2012