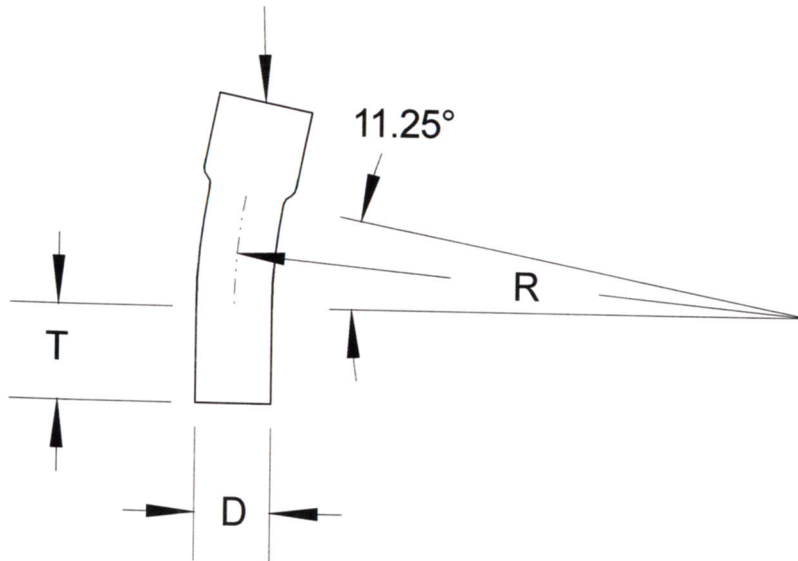


SIZE	DIAMETER "D"	RADIUS "R"	TANGENT "T" (MIN.)	PART NUMBER	WEIGHT (LBS.)
1 1/4"	1.66"	36"	2"	S40GS-1251136	0.45
1 1/2"	1.9"	36"	2"	S40GS-1501136	0.539
2"	2.375"	36"	2"	S40GS-21136	0.715
3"	3.5"	36"	3.125"	S40GS-31136	1.625
4"	4.5"	36"	3.375"	S40GS-41136	2.311

INTEGRAL COUPLING



**RACEWAYS TECHNOLOGY  
& MFG., INC.**  
TACOMA, WA

11.25 DEGREE S/40 GAS PVC ELBOW/36" RADIUS

NO SCALE

RTP

2012