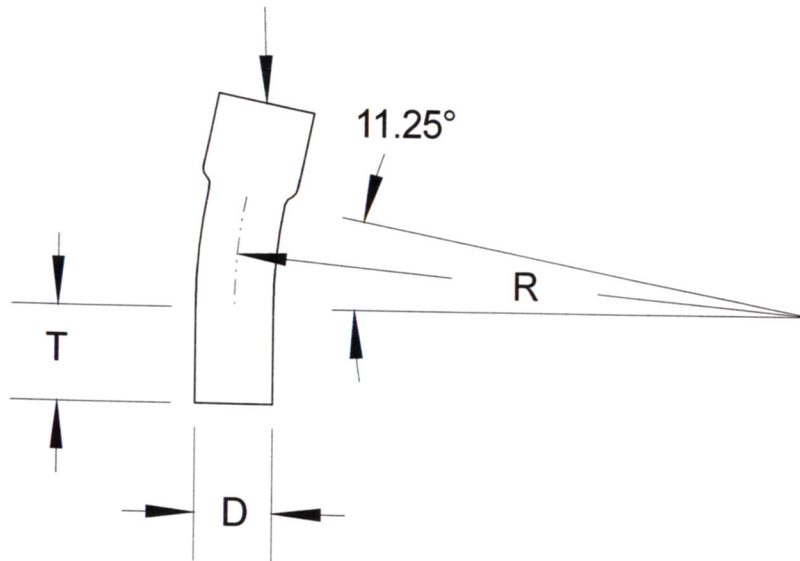


SIZE	DIAMETER "D"	RADIUS "R"	TANGENT "T" (MIN.)	PART NUMBER	WEIGHT (LBS.)
1 1/4"	1.66"	48"	2"	S40GS-1251148	0.636
1 1/2"	1.9"	48"	2"	S40GS-1501148	0.77
2"	2.375"	48"	2"	S40GS-21148	1.0218
3"	3.5"	48"	3.125"	S40GS-31148	2.311
4"	4.5"	48"	3.375"	S40GS-41148	3.294

INTEGRAL COUPLING



**RACEWAYS TECHNOLOGY  
& MFG., INC.**  
TACOMA, WA

11.25 DEGREE S/40 GAS PVC ELBOW 48" RADIUS

NO SCALE

RTP

2012