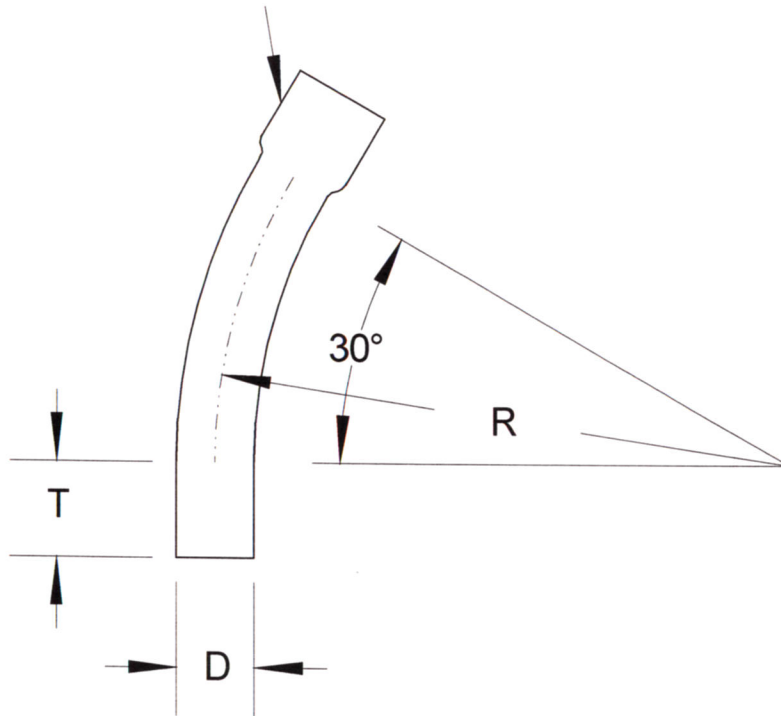


SIZE	DIAMETER "D"	RADIUS "R"	TANGENT "T" (MIN.)	PART NUMBER	WEIGHT (LBS.)
1 1/4"	1.66"	60"	2"	S40GS-1253060	1.444
1 1/2"	1.9"	60"	2"	S40GS-1503060	1.748
2"	2.375"	60"	2"	S40GS-23060	2.312
3"	3.5"	60"	3.125"	S40GS-33060	5.52
4"	4.5"	60"	3.375"	S40GS-43060	8.077

INTEGRAL COUPLING



**RACEWAYS TECHNOLOGY  
& MFG., INC.**

TACOMA, WA

30 DEGREE S/40 GAS PVC ELBOW 60' RADIUS

NO SCALE

RTP

2012