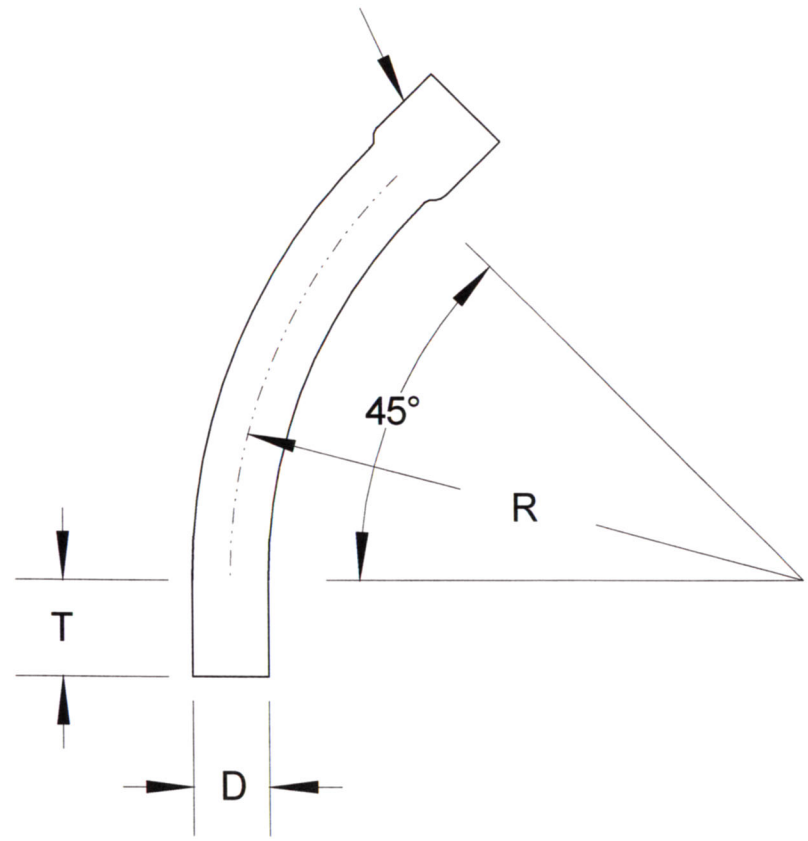


SIZE	DIAMETER "D"	RADIUS "R"	TANGENT "T" (MIN.)	PART NUMBER	WEIGHT (LBS.)
1 1/4"	1.66"	18"	2"	S40GS-1254518	0.757
1 1/2"	1.9"	18"	2"	S40GS-1504518	0.905
2"	2.375"	18"	2"	S40-GS-24518	1.201
3"	3.5"	18"	3.125"	S40GS-34518	2.49
4"	4.5"	18"	3.375"	S40GS-44518	3.884

INTEGRAL COUPLING



**RACEWAYS TECHNOLOGY
& MFG., INC.**
TACOMA, WA

45 DEGREE S/40 GAS PVC ELBOW 18" RADIUS

NO SCALE	RTP	2012
----------	-----	------