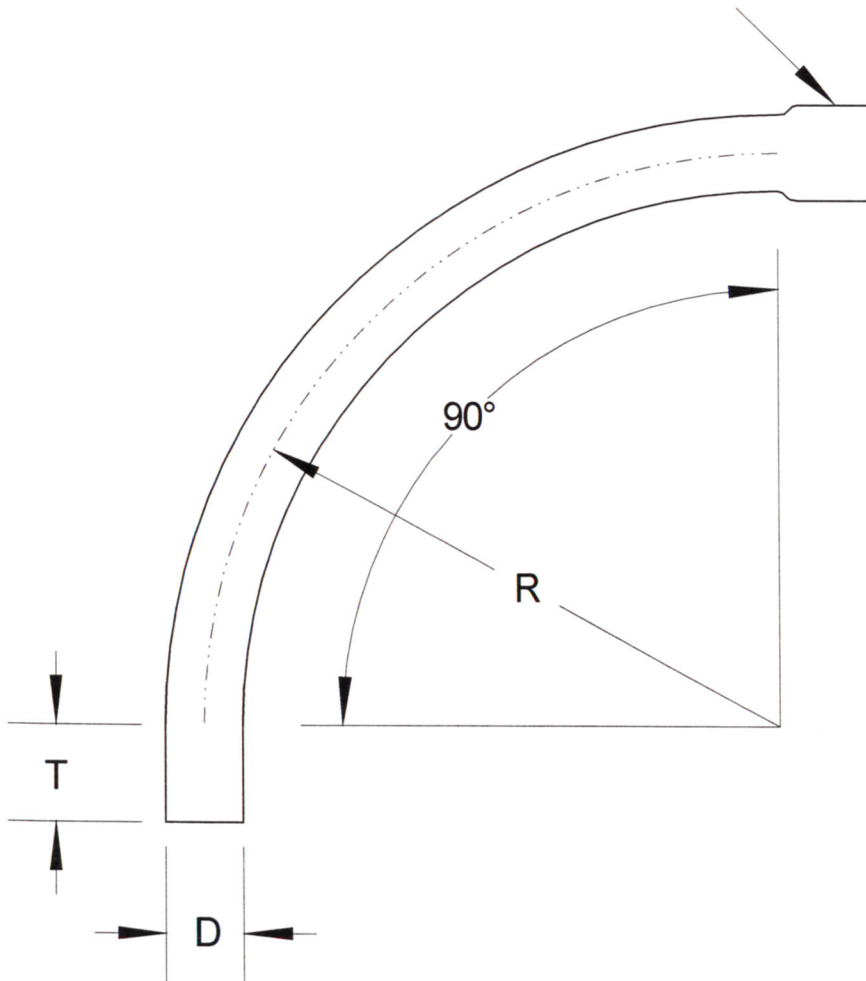


SIZE	DIAMETER "D"	RADIUS "R"	TANGENT "T" (MIN.)	PART NUMBER	WEIGHT (LBS.)
1 1/4"	1.66"	48"	2"	S40GS-1259048	3.057
1 1/2"	1.9"	48"	2"	S40GS-1509048	3.655
2"	2.375"	48"	2"	S40GS-29048	4.851
3"	3.5"	48"	3.125"	S40GS-39048	10.513
4"	4.5"	48"	3.375"	S40GS-49048	15.684

INTEGRAL COUPLING



**RACEWAYS TECHNOLOGY  
& MFG., INC.**  
TACOMA, WA

90 DEGREE S/40 GAS PVC ELBOW 48" RADIUS

NO SCALE

RTP

2012