



**Tacoma Facility**

1427 E 26th Street

Tacoma, WA 98421

(253) 272-7788

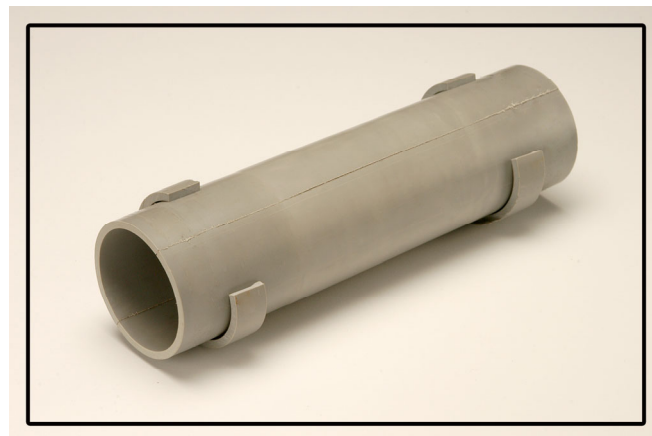
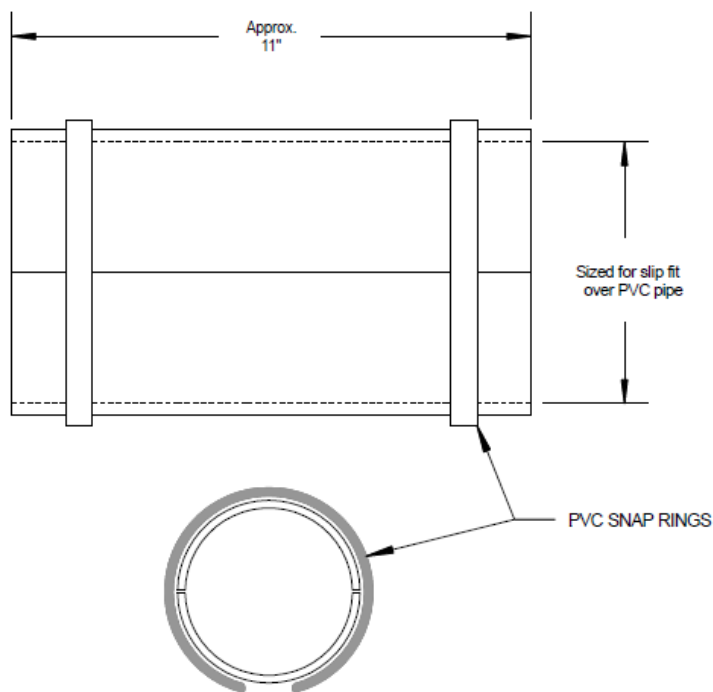
**Quincy Facility**

1302 NE Intermodal Way

Quincy, WA 98848

(509) 497-0350

**PVC SPLIT REPAIR COUPLINGS**



Size	OAL (inch)	S/40 Weight (lbs)
½	11	0.156
¾	11	0.216
1	11	0.324
1 ¼	11	0.456
1 ½	11	0.552
2	11	0.732
2 ½	11	1.164
3	11	1.656
3 ½	11	1.992
4	11	2.364
5	11	3.204
6	11	4.152

**Advantages & Highlights of PVC Split Repair Couplings**

- Schedule 40 & 80 pipe conforming to UL 651 and NEMA TC-2 *Electrical Polyvinyl Chloride (PVC) Conduit*
- DB120 pipe is conforming to ASTM F512 *Smooth-Wall Poly(Vinyl Chloride) (PVC) Conduit and Fittings for Underground Installation*
- Split Repair Couplings are formed to slip over the OD of PVC pipe then split lengthwise
- Both halves are put back together with H-strips and PVC clips
- Weights are calculated for the nominal length of Schedule 40 pipe at 11" overall length as a standard length
- Split Repair Couplings are also available in a 6" length
- Dimensions are approximate and subject to normal manufacturing tolerances.

\*Other sizes available upon request