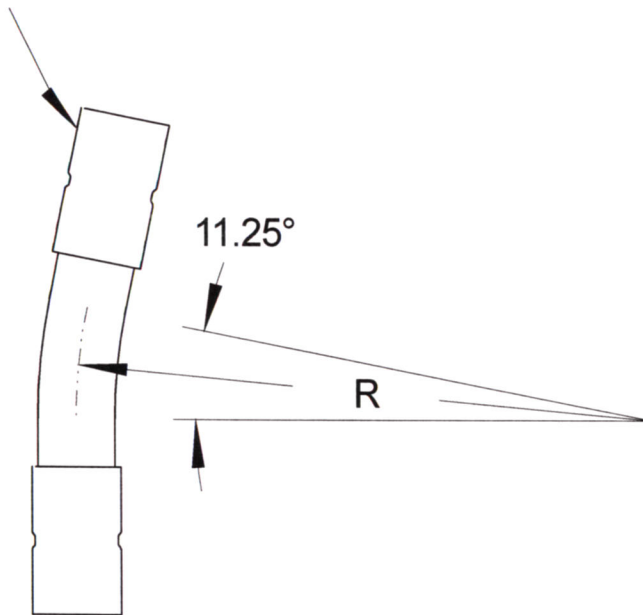


SIZE	DIAMETER "D"	RADIUS "R"	WALL THICKNES	PART NUMBER	WEIGHT (LBS.)
4"	4.5"	18	.096"	FGHW-41118	5.8268

DEEP SOCKET S/40 PVC COUPLING



**RACEWAYS TECHNOLOGY  
& MFG., INC.**

TACOMA, WA

11.25 DEGREE FIBERGLASS ELBOW 18" RADIUS  
(HEAVY WALL)

DEEP SOCKET S/40 PVC COUPLINGS CONFORM TO UL 651 SPECIFICATIONS

NO SCALE

RTP

2012