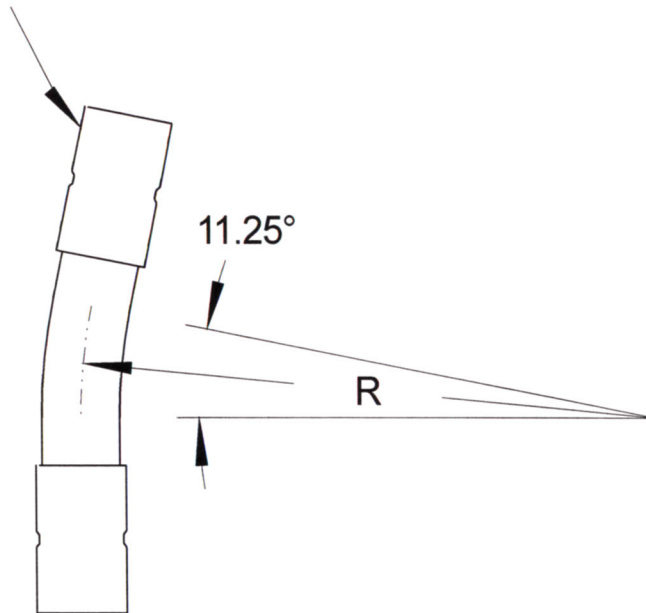


SIZE	DIAMETER "D"	RADIUS "R"	WALL THICKNES	PART NUMBER	WEIGHT (LBS.)
4"	4.5"	24"	.096"	FGHW-41124	5.906
5"	5.563"	24"	.110"	FGHW-511STD	9.134

DEEP SOCKET S/40 PVC COUPLING



**RACEWAYS TECHNOLOGY
& MFG., INC.**

TACOMA, WA

11.25 DEGREE FIBERGLASS ELBOW 24" RADIUS
(HEAVY WALL)

NO SCALE

RTP

2012

DEEP SOCKET S/40 PVC COUPLINGS CONFORM TO UL 651 SPECIFICATIONS