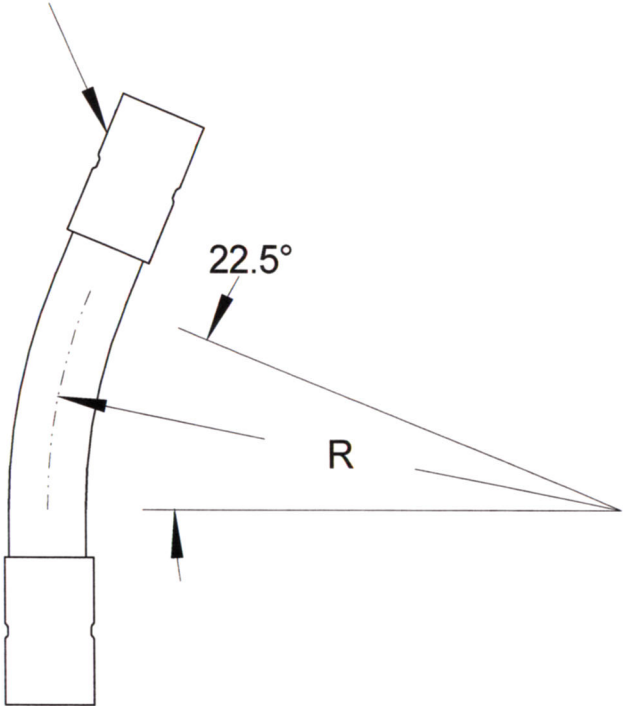


SIZE	DIAMETER "D"	RADIUS "R"	WALL THICKNES	PART NUMBER	WEIGHT (LBS.)
4"	4.5"	36"	.096"	FGHW-42236	6.958
5"	5.563"	36"	.110"	FGHW-52236	10.234
6"	6.625"	36"	.110"	FGHW-62236	14.798

DEEP SOCKET S/40 PVC COUPLING



**RACEWAYS TECHNOLOGY  
& MFG., INC.**

TACOMA, WA

22.5 DEGREE FIBERGLASS ELBOW 36" RADIUS  
(HEAVY WALL)

NO SCALE

RTP

2012

DEEP SOCKET PVC COUPLINGS CONFORM TO UL 651 SPECIFICATIONS