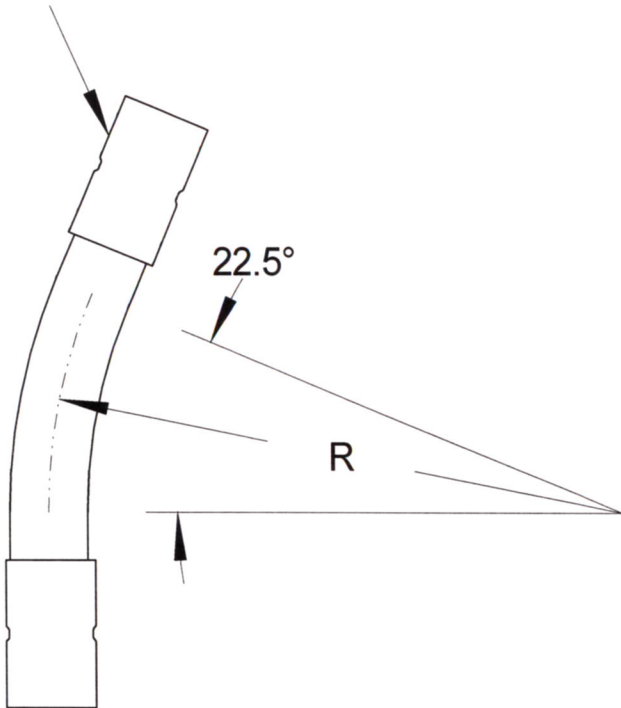


SIZE	DIAMETER "D"	RADIUS "R"	WALL THICKNES	PART NUMBER	WEIGHT (LBS.)
4"	4.5"	72"	.096"	FGHW-42272	7.362
5"	5.563"	72"	.110"	FGHW-52272	10.894
6"	6.625"	72"	.110"	FGHW-62272	15.477
8"	8.625"	72"	.125"	FGHW-82272	23.193

DEEP SOCKET S/40 PVC COUPLING



DEEP SOCKET PVC COUPLINGS CONFORM TO UL 651 SPECIFICATIONS

RACEWAYS TECHNOLOGY & MFG., INC.		
TACOMA, WA		
22.5 DEGREE FIBERGLASS ELBOW 72' RADIUS (HEAVY WALL)		
NO SCALE	RTP	2012