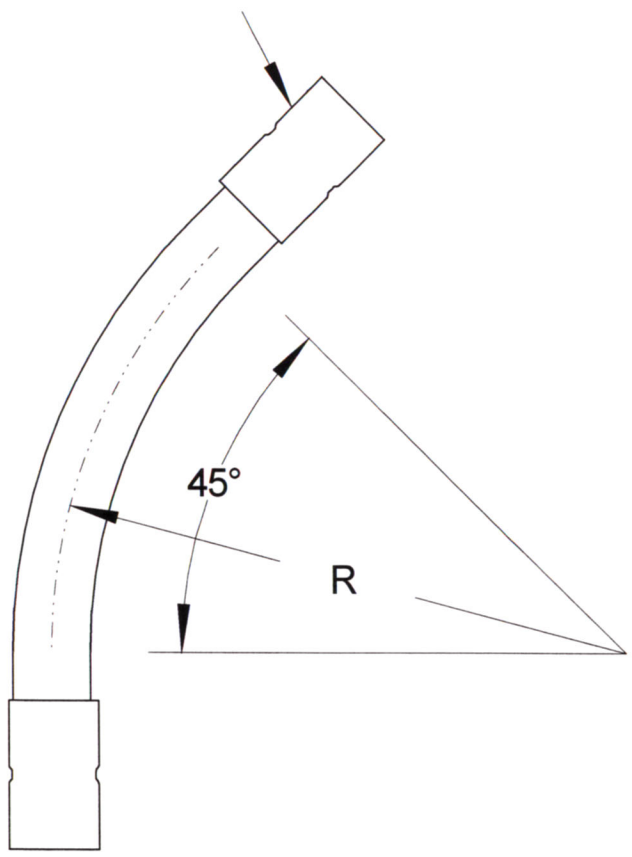


SIZE	DIAMETER "D"	RADIUS "R"	WALL THICKNES	PART NUMBER	WEIGHT (LBS.)
4"	4.5"	24"	.096"	FGHW-44524	6.958
5"	5.563"	24"	.110"	FGHW-545STD	11.114

DEEP SOCKET S/40 PVC COUPLING



RACEWAYS TECHNOLOGY & MFG., INC.		
TACOMA, WA		
45 DEGREE FIBERGLASS ELBOW 24" RADIUS (HEAVY WALL)		
NO SCALE	RTP	2012

DEEP SOCKET S/40 PVC COUPLINGS CONFORM TO UL 651 SPECIFICATIONS