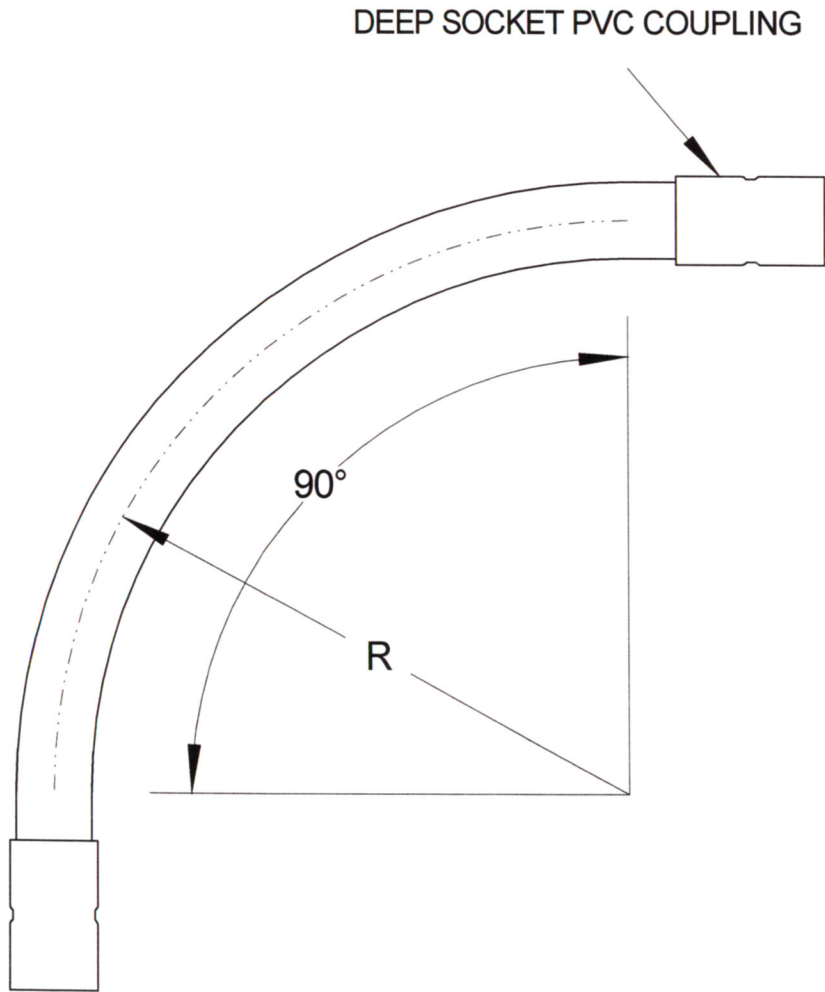


SIZE	DIAMETER "D"	RADIUS "R"	WALL THICKNES	PART NUMBER	WEIGHT (LBS.)
4"	4.5"	48"	.096"	FGHW-49048	11.886
5"	5.563"	48"	.110"	FGHW-59048	16.834
6"	6.625"	48"	.110"	FGHW-69048	22.81
8"	8.625"	48"	.125"	FGHW-89048	34.938



DEEP SOCKET PVC COUPLINGS CONFORM TO UL 651 SPECIFICATIONS

RACEWAYS TECHNOLOGY & MFG., INC.		
TACOMA, WA		
90 DEGREE FIBERGLASS ELBOW 48" RADIUS (HEAVY WALL)		
NO SCALE	RTP	2012