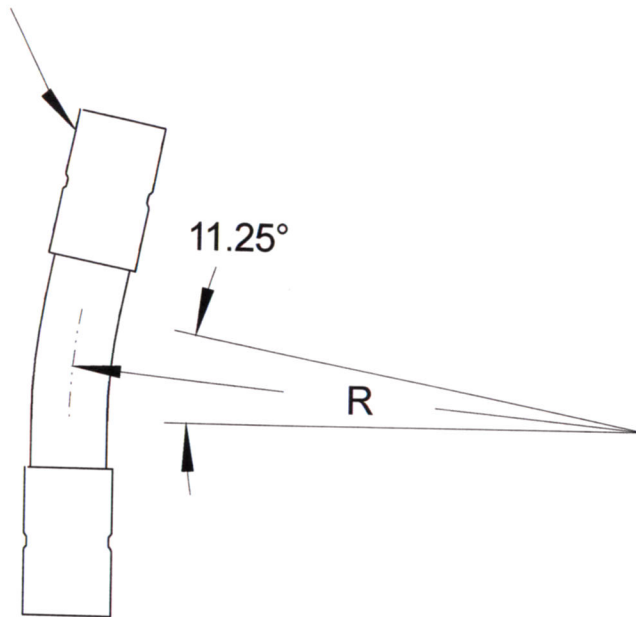


SIZE	DIAMETER "D"	RADIUS "R"	WALL THICKNES	PART NUMBER	WEIGHT (LBS.)
1/2"	.84"	12"	.070"	FGSW-051112	0.324
3/4"	1.05"	12"	.070"	FGSW-0751112	0.362
1"	1.315"	12"	.070"	FGSW-11112	0.455
1 1/4"	1.66"	12"	.070"	FGSW-1251112	0.687
1 1/2"	1.9"	12"	.070"	FGSW-1501112	0.946
2"	2.375"	12"	.070"	FGSW-21112	1.3
2 1/2"	2.875"	12"	.070"	FGSW-2501112	1.9121

DEEP SOCKET S/40 PVC COUPLING



**RACEWAYS TECHNOLOGY  
& MFG., INC.**

TACOMA, WA

11.25 DEGREE FIBERGLASS ELBOW 12" RADIUS  
(STANDARD WALL)

NO SCALE

RTP

2012

DEEP SOCKET S/40 PVC COUPLINGS CONFORM TO UL 651 SPECIFICATIONS