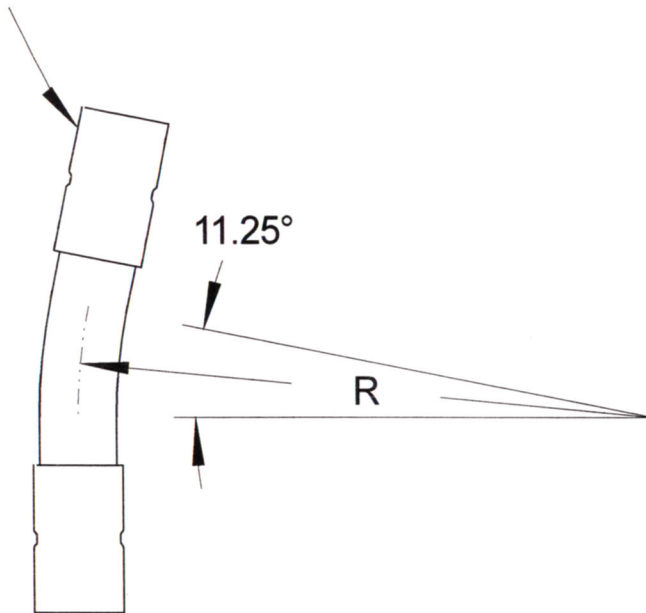


SIZE	DIAMETER "D"	RADIUS "R"	WALL THICKNESS	PART NUMBER	WEIGHT (LBS.)
1/2"	.84"	18"	.070"	FGSW-051118	0.339
3/4"	1.05"	18"	.070"	FGSW-0751118	0.403
1"	1.315"	18"	.070"	FGSW-111118	0.4712
1 1/4"	1.66"	18"	.070"	FGSW-1251118	0.706
1 1/2"	1.9"	18"	.070"	FGSW-1501118	0.9735
2"	2.375"	18"	.070"	FGSW-211118	1.3319
2 1/2"	2.875"	18"	.070"	FGSW-2501118	1.95
3"	3.5	18"	.070"	FGSW-311118	3.503
4"	4.5"	18"	.070"	FGSW-411118	5.39

DEEP SOCKET S/40 PVC COUPLING



**RACEWAYS TECHNOLOGY
& MFG., INC.**

TACOMA, WA

11.25 DEGREE FIBERGLASS ELBOW 18" RADIUS
(STANDARD WALL)

NO SCALE

RTP

2012

DEEP SOCKET S/40 PVC COUPLINGS CONFORM TO UL 651 SPECIFICATIONS