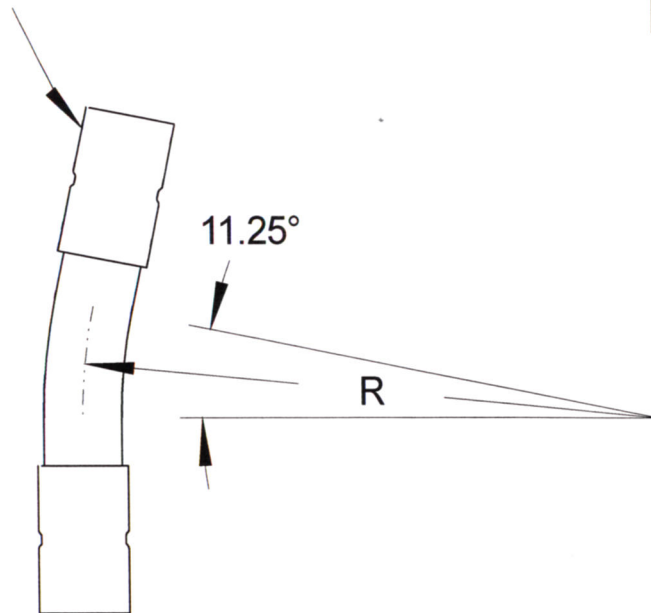


SIZE	DIAMETER "D"	RADIUS "R"	WALL THICKNES	PART NUMBER	WEIGHT (LBS.)
1/2"	.84"	24"	.070"	FGSW-051124	0.3532
3/4"	1.05"	24"	.070"	FGSW-0751124	0.3906
1"	1.315"	24"	.070"	FGSW-11124	0.487
1 1/4"	1.66"	24"	.070"	FGSW-1251124	0.7256
1 1/2"	1.9"	24"	.070"	FGSW-1501124	1.001
2"	2.375"	24"	.070"	FGSW-21124	1.363
2 1/2"	2.875"	24"	.070"	FGSW-2501124	1.988
3"	3.5	24"	.070"	FGSW-31124	3.553
4"	4.5"	24"	.070"	FGSW-41124	5.45
5"	5.563"	24"	.070"	FGSW-511STD	8.224

DEEP SOCKET S/40 PVC COUPLING



**RACEWAYS TECHNOLOGY  
& MFG., INC.**

TACOMA, WA

11.25 DEGREE FIBERGLASS ELBOW/24" RADIUS  
(STANDARD WALL)

NO SCALE

RTP

2012

DEEP SOCKET S/40 PVC COUPLINGS CONFORM TO UL 651 SPECIFICATIONS